

# DA-ARC3000H-FW2-868

## DAHUA 4G ALARM HUB



**MANUFACTURER MODEL NO: DHI-ARC3000H-FW2(868)**

### System Overview

An all new industrial design and advanced technological system, makes the new generation of wireless alarm products easier to install, look better, communicate more reliably and perform more stably. From the comfort of the mobile apps DMSS (for end users) and COS Pro (for installers), receive notifications in real-time, control and manage your devices, perform remote operations, and more.

### Scene

Mainly applied for villas, shops, apartments, etc.

### Technical Specification

#### Input/Output

Wireless Zone	150-channel wireless peripherals (6 sirens, 64 wireless keyfobs)
---------------	--

#### Port

Network Port	1 × RJ-45 10 M/100 M Ethernet port
Network Mode	Single SIM (GSM:900/1800MHz, WCDMA:B1/B5/B8, LTE-FDD:B1/B3/B5/B7/B8/B20, LTE-TDD:B38/B40/B41); dual SIM single standby
Storage Battery	Built-in lithium battery
Indicator Light	1 for multiple statuses (alarm, arming, disarming, networking, and malfunction)
Button	1 × reset, 1 × power, 1 × AP
Buzzer	Built-in

#### Function

Tamper Alarm	Yes
SMS	Yes (up to 5 phone numbers)
Calling Alarm	Yes (up to 5 phone numbers)
Video Linkage	Yes

- Supports 150 wireless peripherals (6 sirens, 64 wireless keyfobs).
- Peripherals status display (signal strength, battery level, temperature, program version).
- Wired, Wi-Fi, 4G, 3G or GPRS network connection.
- Dual SIM and Single Standby.
- Automatic network replenishment (ANR).
- Video linkage on App.
- Frequency hopping function and two-way communication technology ensure communication stability.
- Cloud update and automatic recovery from update failure.

Network Protocol	TCP/IP, including PPTP, L2TP, DHCP, UPNP, and NTP
Remote Upgrade	Cloud update
Arm and Disarm	App; keyfob; schedule
Power Failure Protection for Configured Parameters	Yes
User Management	Share function for App users
Cache	Max. 50 entries (ANR)
Low Battery Alarm	Yes
Search	Search for push messages, device status, and program version, and detect signal strength

#### Wireless

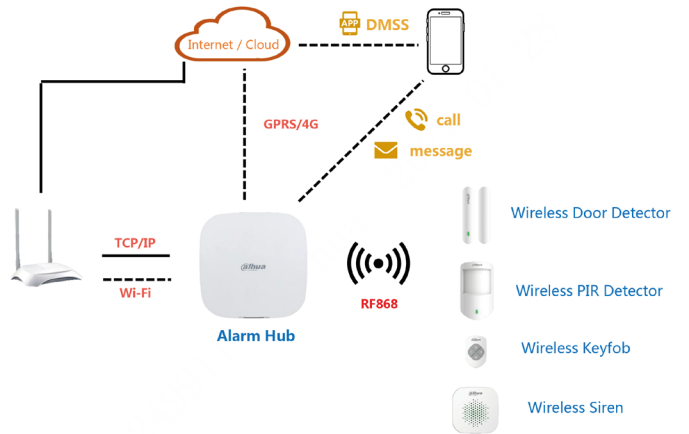
Carrier Frequency	868.0 MHz–868.6 MHz
Communication Distance	Up to 2,000 m (6,561.68 ft) in an open space
Communication Mechanism	Two-way
Encryption Mode	AES128
Wi-Fi	2.4G
Frequency Hopping	Yes

#### General

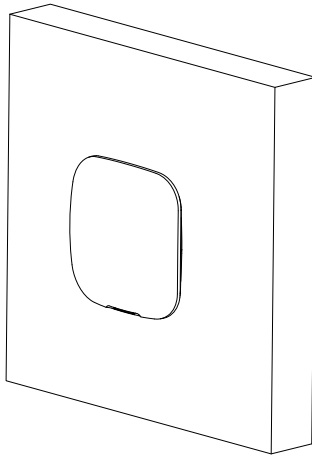
Power Supply	12 V DC, 1.5 A (Europe, UK and USA power adapters are optional)
Operating Temperature	−10 °C to +50 °C (+14 °F to +122 °F) (indoor)
Operating Humidity	10%–90% (RH)
Product Dimensions	163.0 mm × 163.0 mm × 32.0 mm (6.42" × 6.42" × 1.26") (L × W × H)
Packaging Dimensions	219.0 mm × 187.0 mm × 91.0 mm (8.62" × 7.36" × 3.58") (L × W × H)
Installation	Wall mount; Desktop
Net Weight	0.38 kg (0.84 lb)

Gross Weight	0.8 kg (1.76 lb)
Certifications	CE
Casing	PC + ABS
Battery Life	Storage battery standby for 12 hours

### Application



### Installation



### Dimensions (mm[inch])

