

SPRO®

DHD80/28LRW-4-M

8MP Smart Dual Illumination Eyeball Camera



COLOURNIGHT 2.0
 SMART DUAL ILLUMINATION

STARLIGHT

AUDIO
 OVER CO-AX CABLE



8 MEGAPIXEL



2.8 MM



40m Illumination



MICROPHONE



IP67

Key Features:

- 4K CMOS
- 120 db true WDR
- Smart dual Illumination
- 40m Illumination distance
- Built-in MIC
- 2.8mm fixed lens.
- CVI/CVBS/AHD/TVI switchable.
- IP67, 12 VDC

SPECIFICATIONS

Model Number	DHD80/28LRW-4-M
Image Sensor	4K CMOS
Max. Resolution	3840 (H) × 2160 (V)
Scanning System	Progressive
Electronic Shutter Speed	PAL: 1/25 s–1/100000 s; NTSC: 1/30 s–1/100000 s
S/N Ratio	> 65 dB
Min. Illumination	0.01 lux@F2.0 (Colour, 30 IRE)
	0.001 lux@F2.0 (B/W, 30 IRE)
	0 lux (Illuminator on)

(continued)

Illumination Distance	IR: 40 m (131.23 ft); Warm light: 40 m (131.23 ft)
Illuminator On/Off Control	Auto; manual
Illuminator Number	2 (Warm light); 2 (IR light)
Pan/Tilt/Rotation Range	Pan: 0°–360°
	Tilt: 0°–78°
	Rotation: 0°–360°

Lens

Lens Type	Fixed-focal
Mount Type	M12
Focal Length	2.8mm
Max. Aperture	F2.0
Field of View	2.8 mm: H: 106°; V: 56°; D: 125°
Iris Control	Fixed
Close Focus Distance	2.8mm: 1.3 m (4.27 ft)

DORI	Lens	Detect	Observe	Recognise	Identify
Distance	2.8mm	88 m (288.71 ft)	35.2 m (115.49 ft)	17.6 m (57.74 ft)	8.8 m (28.87 ft)

Video

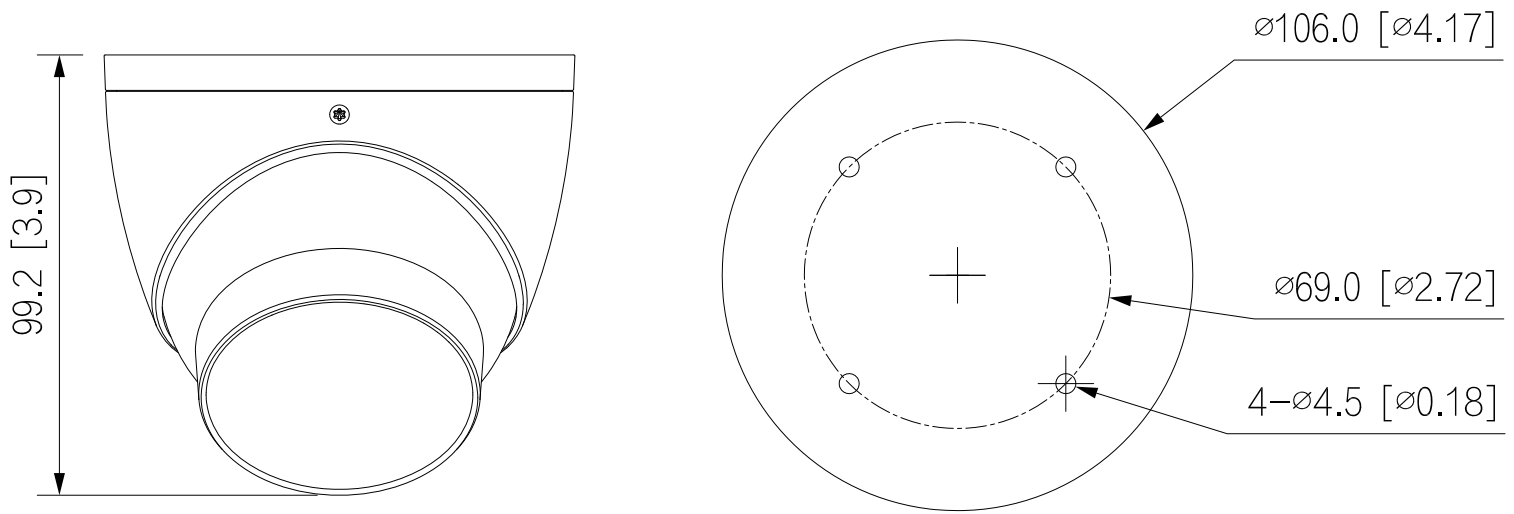
Video Frame Rate	CVI:
	PAL: 4K@15 fps; 5M@25 fps; 4M@25 fps; 1080p@25 fps
	NTSC: 4K@15 fps; 5M@25 fps; 4M@30 fps; 1080p@30 fps
	AHD:
	PAL: 4K@15 fps
	NTSC: 4K@15 fps
	TVI:
	PAL: 4K@15 fps
	NTSC: 4K@15 fps
	CVBS:
	PAL: 960H
	NTSC: 960H

Resolution	4K (3840 × 2160); 5M (2880 × 1620); 4M (2560 × 1440); 1080p (1920 × 1080); 960H (960 × 576/960 × 480)
Day/Night	Auto(ICR)/Colour/B/W
BLC	BLC; HLC; WDR; HLC-Pro
WDR	120 dB
White Balance	Auto; Area white balance
Gain Control	Auto / Manual
Noise Reduction	3D NR
Illumination Mode	Smart IR & WL; WL Mode; IR Mode
Defog	Electronic defog
Mirror	Yes
Privacy Masking	Off/On (8 areas, rectangle)
Certification	
Certifications	CE-LVD: EN 62368-1; CE-EMC: EN 55032; EN 55035; FCC: 47 CFR FCC Part 15, Subpart B; UL: UL62368-1 + CAN/CSA C22.2 No. 62368-1-14
Port	
Video Output	Video output choices of CVI/TVI/AHD/CVBS by one BNC port
Audio Input	One channel built-in MIC
Power	
Power Supply	12 VDC ± 30%
Power Consumption	Max 5.7 W (12 VDC, LED on)
Environment	
Operating Temperature	-40 °C to +60 °C (-40 °F to +140 °F)
Operating Humidity	<95% (RH), non-condensing
Storage Temperature	-40 °C to +60 °C (-40 °F to +140 °F)
Storage Humidity	<95% (RH), non-condensing
Protection	IP67
Anti-corrosion Level	Low

Structure

Casing Material	Metal
Product Dimensions	φ106.0 mm × 99.2 mm (φ4.17" × 3.91")
Net Weight	0.47 kg (1.04 lb)
Gross Weight	0.69 kg (1.52 lb)

Dimensions (mm[inch])



Accessories



BASE05-W



WALLBRACKET02-W



POLEBRACKET01



All specifications are subject to change without notice. Copyright © Luxrite Ltd. All rights reserved