

SPRO[®]

VI-STN03-V2

IP Outdoor Station



MICROPHONE



VANDAL PROOF



IP65



DAY/NIGHT



IPHONE & ANDROID
PHONE VIEWING



Key Features:

- 2MP CMOS camera
- Mechanical button
- Night vision & Voice indication
- Video & Audio messaging
- IK07, IP65
- Surface mounted & Flush mounted

SPECIFICATIONS

Model Number	VI-STN03-V2
Main Processor	Embedded Processor
Operating System	Embedded Linux Operation System
Button Type	Mechanical
Number of Buttons	1
Interoperability	ONVIF; CGI
Network Protocol	IPv4; RTSP; UDP; DNS; P2P; UPnP; RTP; TCP; SIP

Basic

Camera	1/2.9" 2 MP CMOS
Field of View	H:168.6°; V:87.1°; D:176.7°
WDR	120 dB
Noise Reduction	3D NR
Video Compression	H.265; H.264

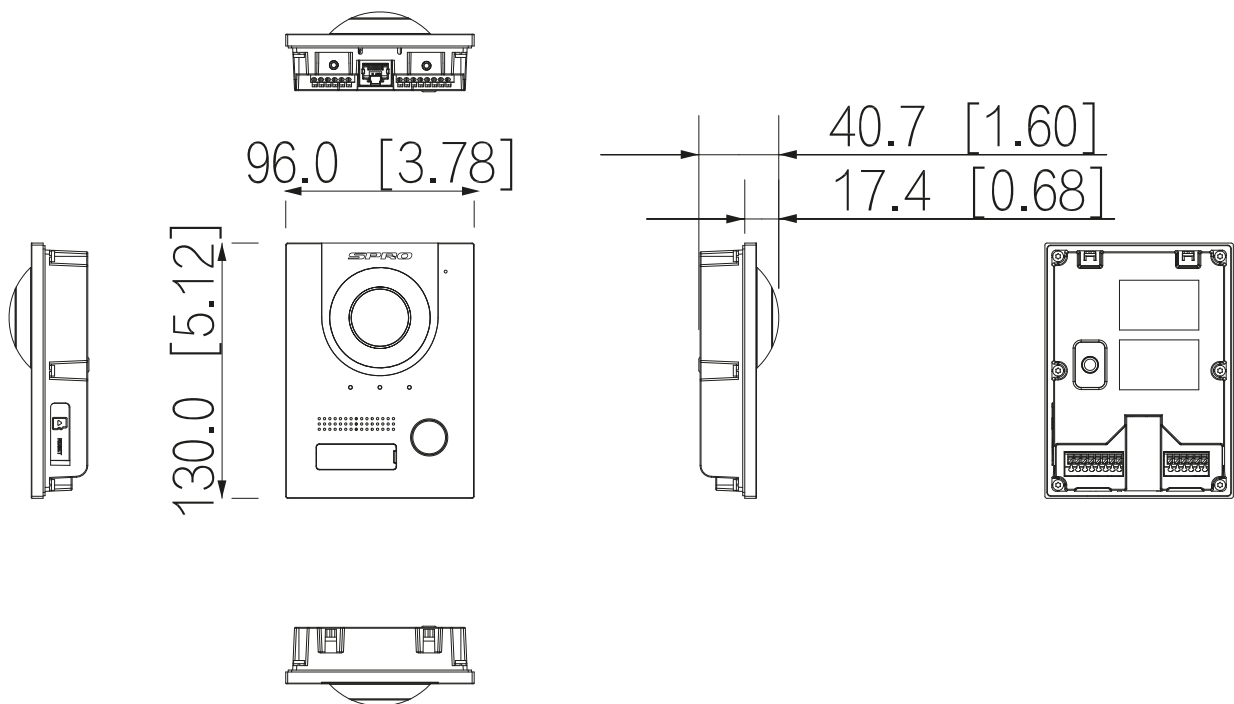
(continued)

Video Resolution	Main stream: 720p; WVGA; D1; CIF Sub stream: 1080p; WVGA; D1; QVGA; CIF
Video Frame Rate	25 fps
Video Bit Rate	256 Kbps to 8 Mbps
Light Compensation	Auto IR
Day/Night	Auto(ICR) / Colour / B/W; Colour/ B/W
Audio Compression	G.711a; G.711u; PCM
Audio Input	1 channel
Audio Output	Built-in speaker
Audio Mode	Two-Way-Audio
Audio Enhancement	Echo Suppression / digital noise reduction
Audio Bit Rate	16 kHz, 16 bits
Function	
Communication Mode	Full Digital
Unlock Mode	Remote
Leave Videos	Yes (SD card is inserted in the indoor monitor or door station)
Storage	Supports Micro SD card (up to 256 GB)
Web Configuration	Yes
Performance	
Casing Material	Aluminium
Port	
RS-485	1
Alarm Output	1
Power Output	1 port, 12V/600 mA (Only available when using POE+)
Exit Button	1
Door Status Detection	1
Lock Control	1
Network Port	1 x RJ-45 port, 10Mbps / 100 Mbps network port
Alarm	
Tamper Alarm	Yes

General

Appearance Colour	Silver
Power Supply	12 VDC, 2 A, PoE (802.3af/at)
Power Adapter	Optional
Installation	Flush Mount; Surface Mount
Certifications	CE
Accessory	Surface mount box; Flush mount box; rain cover
Product Dimensions	130 mm × 96 mm × 28.5 mm (5.12" × 3.78" × 1.12")
Protection	IK07; IP65
Operating Temperature	-30 °C to +60 °C (-22 °F to +140 °F)
Operating Humidity	10%–90% (RH), non-condensing
Operating Environment	Outdoor
Operating Altitude	0 m–3,000 m (0 ft–9,842.52 ft)
Power Consumption	≤4 W (standby), ≤5 W (working)
Gross Weight	0.48 kg (1.06 lb)
Storage Temperature	0 °C to +40 °C (+32 °F to +104 °F)
Storage Humidity	30%–75% (RH), non-condensing

Dimensions (mm[inch])



All specifications are subject to change without notice. Copyright © Luxrite Ltd. All rights reserved