

# DA-ARD2251E-W2-868V

Dahua Wireless External PIR-Camera (Only compatible with ARC3800H series)



**MANUFACTURER MODEL NO: DHI-ARD2251E-W2(868V)**

## Series Overview

Wireless Triple-Tech Detector performs high precision detection using PIR, microwave detection technology, optical technology and intelligent algorithms. It also eliminates interference caused by small animals, the ambient temperature and changes in the light to ensure that the detector accurately recognizes when people move, even in complex environments. When combined with the camera module, its capabilities expand allowing you to both monitor your scene through videos and images, and check alarms in real time. You also receive alarm notifications when alarms are triggered, so that you can stay up to date on the situation of your site.

## Technical Specification

### Video & Audio

Field of View	110° (H); 60° (V)
Image Type	JPEG
Resolution	1280 × 960; 640 × 480; 320 × 240; 160 × 120
Frame Rate	2
Illumination Mode	Infrared Light
Illumination Range	15 m (49.21 ft)
Day/Night Switch	Color; Black and White

### Function

Indicator Light	1 × green alarm indicator
Button	1 × power switch 1 × detection range adjustment switch
Remote Update	Cloud update
Low Battery Detection	Yes
Tamper	Tamper alarm

- Support anti-masking detection.
- Support moving detection to prevent someone move or detach device.
- Supports video verification.
- IR illumination range of 15 m at night.
- Pet immunity: up to 80 cm, 40kg.
- Support environment temperature monitoring.
- Supports two-way communication and frequency hopping to make communication with alarm hub stable and reliable.
- Features cloud update. You can also remotely update the device on the mobile app.
- Offers a dual backup system, and uses auto recovery when an update fails.

Moving detection	Yes
------------------	-----

### Technical

Detection Mode	PIR + Microwave
Sensitivity	PIR:3 levels adjustable
Detection Range	Angle:90° Range:15 m (49.21 ft), the installation height is 1 m (3.28 ft)
Detection Speed	0.3 m/s–2 m/s
Microwave Frequency	24 G
Pet Immunity Level	<80 cm (2.62 ft), about 40 kg (88.19 lb)
White Light Resistance Level	10,000 lux
Anti-masking	Yes
Two-way Digital Temperature Compensation	Yes
Scenario	Outdoor, indoor
Operating Current	20 uA
Alarm Current	Without Camera: 26mA (Avg); 250 mA (Max) With Camera in Night: 380 mA (Avg); 1.5 A (Max)

### Wireless

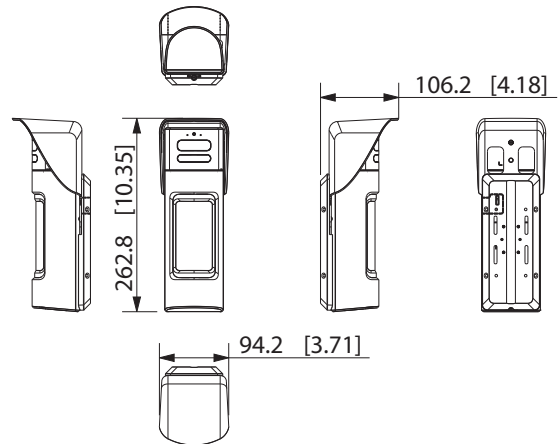
Carrier Frequency	868.0 MHz–868.6 MHz
Communication Mechanism	Two-way
Communication Distance	RF: Up to 1,600 m (5,249.34 ft) in an open space RF-HD: Up to 1,400 m (4593.18 ft) in an open space
Encryption Mode	AES128
Frequency Hopping	Yes

### General

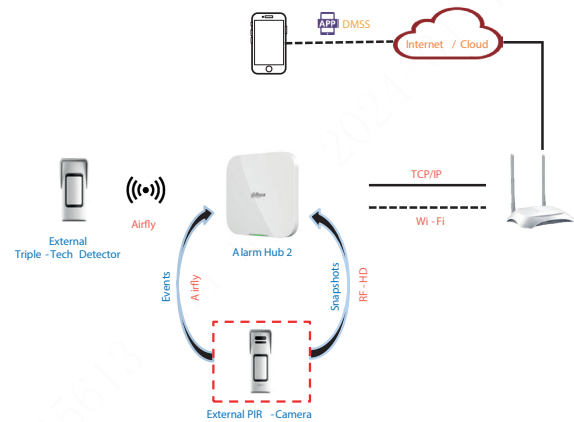
Power Supply	CR123A × 4
--------------	------------

Battery Life	Without Camera: 5 years (triggers 10 alarms a day) With Camera: 3.5 years (triggers alarms twice a week)
Operating Temperature	-25 °C to +60 °C (-13 °F to +140 °F)
Operating Humidity	10%–90% (RH)
Product Dimensions	263 mm × 106 mm × 94 mm (10.35" × 4.17" × 3.70")
Installation Height	0.8 to 1.3 m
Net Weight	763 g (1.68 lb)
Gross Weight	1.06 kg (2.34 lb)
Installation	Wall mount, pole mount
Casing Material	PC + GF
Protection	IP66
Certifications	CE
Anti-corrosion Level	Basic Protection
Storage Temperature	-25 °C to +60 °C (-13 °F to +140 °F)
Storage Humidity	10%–90% (RH)

### Dimensions (mm[inch])



### Application



### Accessories

Optional:



ARA34E  
Detector Bracket

