

SPRO[®]

DHIPQ80/28LRW/30-D-V2

Active Deterrence 2.0 AI PRO IP Camera



8 MEGAPIXEL



2.8 MM



30m LED



30m IR



MICROPHONE



IP67



ARTIFICIAL INTELLIGENCE

Key Features:

- H.265
- 120 dB WDR
- Red & blue flash light/alarm
- Alarm: 1 in 1 out
- Built-in warm light & IR LEDs (30m)
- Two-way-audio
- Microphone & speaker built-in (2 way audio)
- SMD PLUS
- Perimeter protection (tripwire & intrusion)
- Classification of human & vehicle
- One press arming/disarming through alarm input
- Support max. 256G micro SD card
- IP67 waterproof
- DC12V/POE



SPECIFICATIONS

Model No.	DHIPQ80/28LRW/30-D-V2
Image Sensor	1 / 2.8 inch CMOS
Max. Resolution	3840 (H) x 2160 (V)
ROM	128 MB
RAM	512 MB
Scanning System	Progressive
Electronic Shutter Speed	Auto / Manual / 1/3 s-1/100,000 s

(continued)

Min. Illumination	0.004 lux@F1.0 (Colour, 30 IRE) 0.0004 lux@F1.0 (B/W, 30 IRE) 0 lux (illuminator on)
S/N Ratio	>56 dB
Illumination Distance	Up to 30 m (98.43 ft) (IR) Up to 30 m (98.43 ft) (warm light)
Illuminator On/Off Control	Auto / Manual
Illuminator Number	2 (IR LED) 2 (warm light)
Angle Adjustment	Pan: 0°–360° Tilt: 0°–90° Rotation: 0°–360°

Lens

Lens Type	Fixed*focal
Mount Type	M12
Focal Length	2.8 mm
Field of View	H: 106°; V: 55°; D: 125°
Iris Type	Fixed
Close Focus Distance	2.0 m (6.56 ft)
DORI Distance	Detect: 91.0 m (298.56 ft) Observe: 36.4 m (119.42 ft) Recognise: 18.2 m (59.71 ft) Identify: 9.1 m (29.86 ft)

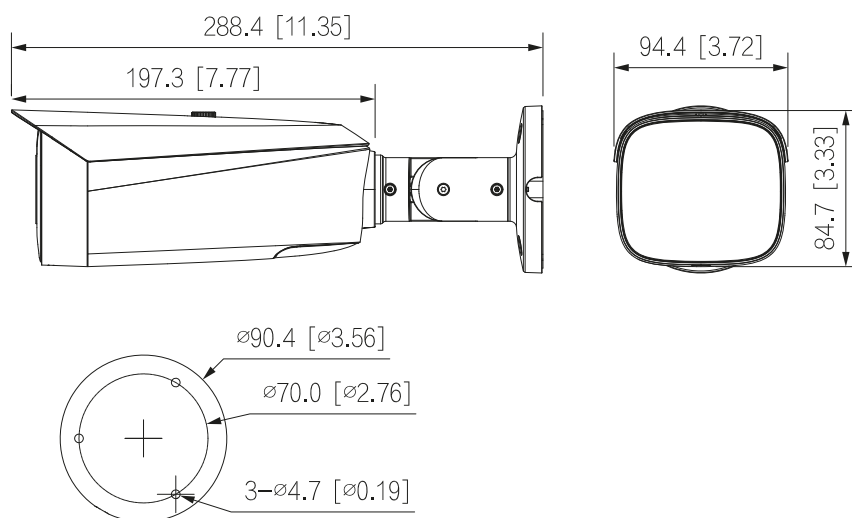
Intelligence

IVS (Perimeter Protection)	Tripwire; intrusion (support the classification and accurate detection of vehicle and human)
SMD	Less false alarm, longer detection distance
Smart Search	Work together with Smart NVR to perform refine intelligent search, event extraction and merging to event videos
Quick Pick	With AI NVR, quickly pick up the human/vehicle targets that users are interested in from SMD events
AI SSA	Adopt deep learning algorithms to adjust the parameters of the image to suit the conditions.

Video	
Video Compression	H.265; H.264; H.264H; H.264B; MJPEG (only supported by the sub stream)
Smart Codec	Smart H.265+; Smart H.264+
AI Coding	AI H.265; AI H.264
Video Frame Rate	Main stream: 3840 × 2160@(1 fps–30 fps) Sub stream: 704 × 576@(1 fps–25 fps)/704 × 480@(1 fps–30 fps) Third stream: 1920 × 1080@(1 fps–30 fps) *The values above are the max. frame rates of each stream; for multiple streams, the values will be subjected to the total encoding capacity
Stream Capability	3 streams
Resolution	8M (3840 × 2160); 6M (3072 × 2048); 5M (3072 × 1728/2592 × 1944); 4M (2688 × 1520/2560 × 1440); 3M (2048 × 1536/2304 × 1296); 1080p (1920 × 1080); 1.3M (1280 × 960); 720p (1280 × 720); D1 (704 × 576/704 × 480); VGA (640 × 480); CIF (352 × 288/352 × 240)
Bit Rate Control	CBR/VBR
Video Bit Rate	H.264: 32kbps–8192 kbps; H.265: 12kbps–8192 kbps
Day/Night	Auto (ICR)/Colour/B/W
BLC	Yes
HLC	Yes
WDR	120 dB
Scene Self-adaptation	Yes
White Balance	Auto; natural; street lamp; outdoor; manual; regional custom
Gain Control	Auto; Manual
Noise Reduction	3D NR
Motion Detection	OFF/ON (4 areas)
Region of Interest (RoI)	Yes (4 areas)
Smart IR	Yes
Defog	Yes
Image Rotation	0°/90°/180°/270° (Support 90°/270° with 2688 × 1520 resolution and lower)
Mirror	Yes
Privacy Masking	8 areas

Audio	
Built-in MIC	Yes, built-in dual Mic
Built-in speaker	Yes, built-in speaker
Audio compression	PCM; G.711a; G.711Mu; G.726; G.723
Alarm	
Alarm Event	No SD card; SD card full; SD card error; network disconnection; IP conflict; illegal access; motion detection; video tampering; tripwire; intrusion; scene changing; audio detection; voltage detection; external alarm; SMD; security exception
Network	
Network	RJ-45 (10/100 Base-T)
SDK and API	Yes
Cyber Security	Video encryption; firmware encryption; configuration encryption; Digest; WSSE; account lockout; security logs; IP/MAC filtering; generation and importing of X.509 certification; syslog; HTTPS; 802.1x; trusted boot; trusted execution; trusted upgrade
Protocol	IPv4; IPv6; HTTP; TCP; UDP; ARP; RTP ; RTSP; RTCP; RTMP; SMTP; FTP; SFTP; DHCP; DNS; DDNS; QoS; UPnP; NTP; Multicast; ICMP; IGMP; NFS; SAMBA; PPPoE; SNMP; P2P
Interoperability	ONVIF (Profile S;Profile G;Profile T); CGI
User/Host	20 (Total bandwidth: 72 M)
Storage	FTP; SFTP; Micro SD card (support max. 256 G); NAS
Browser	IE: IE8/9/11; Chrome; Firefox
Management Software	DMSS
Mobile Phone	iOS; Android
Certification	
Certification	CE-LVD: EN 62368-1; CE-EMC: Electromagnetic Compatibility Directive 2014/30/EU; FCC: 47 CFR FCC Part 15, Subpart B; UL/CUL:UL62368-1 & CAN/CSA C22.2 No. 62368-1-14;

Port	
Audio Input	1 channel (RCA port)
Audio Output	1 channel (RCA port)
Alarm Input	1 channel in: 5mA 3V-5 VDC
Alarm Output	1 channel out: 300mA 12 VDC
Power	
Power Supply	12V DC/PoE (802.3af)
Power Consumption	Basic: 4.5 W (12 VDC); 5.5 W (PoE) Max. (pulling stream+warning light+speaker+warm light on): 7.6 W (12 VDC); 9.1 W (PoE)
Environment	
Operating Conditions	-40 °C to +60 °C (-40 °F to +140 °F)/Less than 95% RH
Storage Conditions	-40 °C to +60 °C (-40 °F to +140 °F)
Protection Grade	IP67
Structure	
Casing	Metal + Plastic
Dimensions	288.4 mm × 94.4 mm × 84.7 mm (11.35" × 3.72" × 3.33") (L × W × H)
Net Weight	1.0 kg (2.20 lb)
Gross Weight	1.23 kg (2.71 lb)
Dimensions (mm[inch])	



All specifications are subject to change without notice. Copyright © Luxrite Ltd. All rights reserved