

**SPRO**<sup>®</sup>**IP**

# DHIPD80/28LRW/30-D-V3

8MP IP Smart Dual Illumination Active Deterrence Camera with AI Technology



## Key Features:

- 8 megapixel
- H.265
- 2.8mm Lens
- Up to 30m LED distance (smart LED)
- Up to 30m IR distance (smart LED)
- SMD 4.0 (Smart motion detection)
- Intrusion (human & vehicle classification)
- Tripwire (human & vehicle classification)
- Two-way-audio
- Microphone built-in (audio over CAT5e cable)
- 120dB WDR
- IP67 waterproof
- DC 12V/POE



## SPECIFICATIONS

<b>Model Number</b>	DHIPD80/28LRW/30-D-V3
<b>Image Sensor</b>	1/2.8"8 Megapixel progressive CMOS
<b>Effective Pixels</b>	3840 (H) × 2160 (V)
<b>ROM</b>	128 MB
<b>RAM</b>	512 MB
<b>Scanning System</b>	Progressive

(continued)

<b>Electronic Shutter Speed</b>	Auto/Manual 1/3 s–1/100000 s
<b>Min. Illumination</b>	0.004 lux@F1.0 (Color, 30 IRE) 0.0004 lux@F1.0 (B/W, 30 IRE) 0 lux (illuminator on)
<b>S/N Ratio</b>	>56 dB
<b>Illumination Distance</b>	30 m (98.43 ft) (IR) 30 m (98.43 ft) (warm light)
<b>Illuminator On/Off Control</b>	Auto/Manual
<b>Illuminator Number</b>	1 (IR LED) 1 (Warm light)
<b>Pan/Tilt/Rotation Range</b>	Horizontal: 0°–360°; vertical: 0°–78°; rotation: 0°–360°

### Lens

<b>Lens Type</b>	Fixed focal
<b>Mount Type</b>	M12
<b>Focal Length</b>	2.8 mm
<b>Field of View</b>	Horizontal: 106°; vertical: 55°; diagonal: 125°
<b>Iris Type</b>	Fixed
<b>Close Focus Distance</b>	2.0 m (6.56 ft)
<b>DORI Distance</b>	Detect: 91m   Observe: 36.4 m   Recognize: 18.2 m   Identify: 9.1 m

### Professional, Intelligent

<b>IVS (Perimeter Protection)</b>	Tripwire; intrusion (Recognition of human and vehicle)
<b>SMD 4.0</b>	Less false alarm, longer detection distance
<b>Intelligent Search</b>	Work together with Smart NVR to perform refine intelligent search, event extraction and merging to event videos

### Video

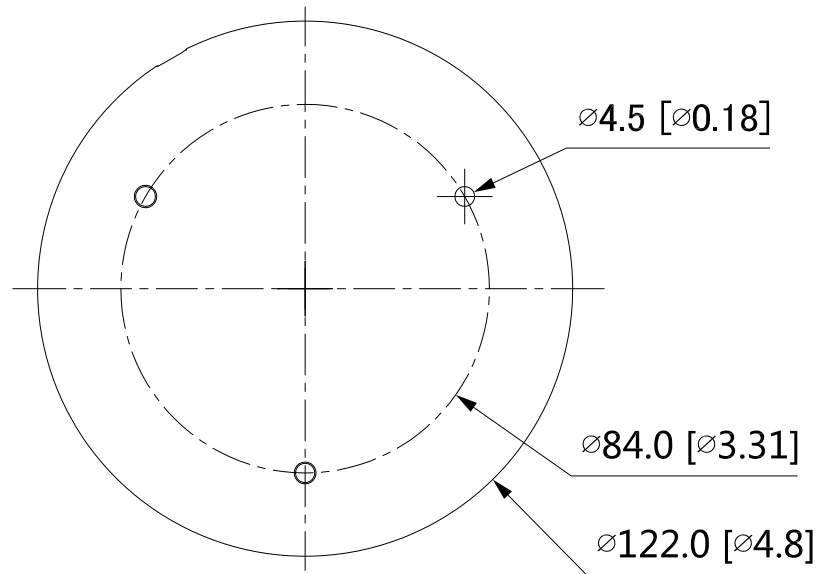
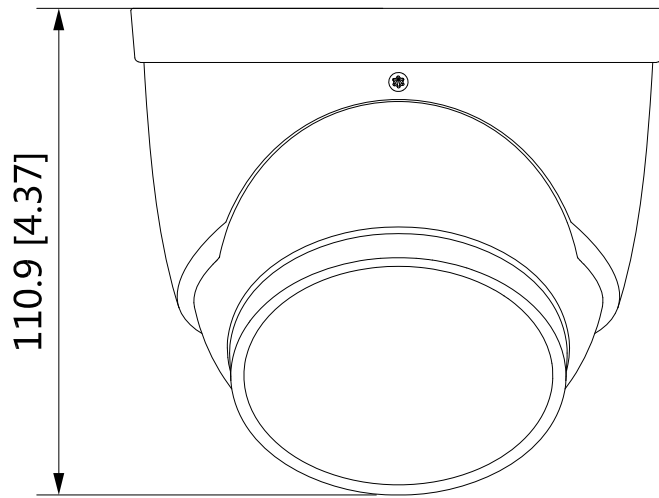
<b>Video Compression</b>	H.265; H.264; H.264H; H.264B; MJPEG (Only supported by the sub stream)
<b>Smart Codec</b>	Smart H.265+/ Smart H.264+
<b>AI Coding</b>	AI H.265; AI H.264
<b>Video Frame Rate*</b>	Main stream: 3840 × 2160@(1 fps–30 fps) Sub stream: 704 × 576@(1 fps–25 fps)/704 × 480@(1 fps–30 fps) Third stream (1920 × 1080 @1-25/30 fps)

\*The values above are the max. frame rates of each stream; for multiple streams, the values will be subjected to the total encoding capacity.

<b>Stream Capability</b>	3 streams
<b>Resolution</b>	8M (3840 × 2160); 6M (3072 × 2048); 5M (3072 × 1728/2592 × 1944); 4M (2688 × 1520); 3M (2048 × 1536/2304 × 1296); 1080p (1920 × 1080); 1.3M (1280 × 960); 720p (1280 × 720); D1 (704 × 576/704 × 480); VGA (640 × 480); CIF (352 × 288/352 × 240)
<b>Bit Rate Control</b>	CBR/VBR
<b>Video Bit Rate</b>	H.264: 3 kbps–20480 kbps H.265: 3 kbps–20480 kbps
<b>Day/Night</b>	Auto (ICR)/Color/B/W
<b>BLC</b>	Yes
<b>HLC</b>	Yes
<b>WDR</b>	120 dB
<b>Scene Self-adaptation</b>	Yes
<b>White Balance</b>	Auto/natural/street lamp/outdoor/manual/regional custom
<b>Gain Control</b>	Auto/Manual
<b>Noise Reduction</b>	3D DNR
<b>Motion Detection</b>	OFF/ON (4 areas)
<b>Region of Interest(RoI)</b>	Yes (4 areas)
<b>Smart Illumination</b>	Yes
<b>Defog</b>	Yes
<b>Image Rotation</b>	0°/90°/180°/270° (Support 90°/270° with 2688 × 1520 resolution and lower)
<b>Mirror</b>	Yes
<b>Privacy Masking</b>	8 areas
<b>Audio</b>	
<b>Built-in MIC</b>	Yes
<b>Audio Compression</b>	PCM; G.711a; G.711Mu; G.726; G.723
<b>Alarm</b>	
<b>Alarm Event</b>	No SD card; SD card full; SD card error; network disconnection; IP conflict; illegal access; motion detection; video tampering; tripwire; intrusion; scene changing; audio detection; voltage detection; external alarm; SMD; security exception

Network	
<b>Network</b>	RJ-45 (10/100 Base-T)
<b>SDK and API</b>	Yes
<b>Cyber Security</b>	Video encryption; firmware encryption; configuration encryption; Digest; WSSE; account lockout; security logs; IP/MAC filtering; generation and importing of X.509 certification; syslog; HTTPS; 802.1x; trusted boot; trusted execution; trusted upgrade
<b>Protocol</b>	IPv4; IPv6; HTTP; TCP; UDP; ARP; RTP ; RTSP; RTCP; RTMP; SMTP; FTP; SFTP; DHCP; DNS; DDNS; QoS; UPnP; NTP; Multicast; ICMP; IGMP; NFS; SAMBA; PPPoE; SNMP
<b>Interoperability</b>	ONVIF (Profile S/Profile G/Profile T); CGI; P2P; Milestone
<b>User/Host</b>	20 (Total bandwidth: 72M)
<b>Edge Storage</b>	FTP; SFTP; Micro SD Card (support max. 256 G); NAS
<b>Browser</b>	IE: IE8, IE9, IE11, Chrome, Firefox
<b>Management Software</b>	SPRO CSS
<b>Mobile Phone</b>	iPhone, iPad & Android
Certification	
<b>Certifications</b>	CE-LVD: EN 62368-1; CE-EMC: Electromagnetic Compatibility Directive 2014/30/EU; FCC: 47 CFR FCC Part 15, Subpart B; UL/CUL:UL62368-1 & CAN/CSA C22.2 No. 62368-1-14
Port	
<b>Audio Input</b>	1 channel (RCA port)
<b>Audio Output</b>	1 channel (RCA port)
<b>Alarm Input</b>	1 channel in: 5mA 3V–5V DC
<b>Alarm Output</b>	1 channel out: 300mA 12V DC
General	
<b>Power Supply</b>	12V DC/PoE
<b>Power Consumption</b>	Basic: 5.2 W (12 VDC); 5.5 W (PoE) Max. (H.265+main stream/IR intensity+warm light on): 9.2 W (12 VDC) 10.2 W (PoE)
<b>Operating Conditions</b>	-40°C to +60°C (-40°F to +140°F)/less than≤95%

<b>Storage Conditions</b>	-40°C to +60°C (-40°F to +140°F)
<b>Ingress Protection</b>	IP67
<b>Casing</b>	Metal
<b>Dimensions</b>	Φ122.0 mm × 110.9 mm (Φ4.8" × 4.4")
<b>Net Weight</b>	754 g (1.7 lb)
<b>Gross Weight</b>	915 g (2.0 lb)



All specifications are subject to change without notice. Copyright © Luxrite Ltd. All rights reserved