

# SPRO<sup>®</sup> IP

**STARLIGHT**

## DHIPPTZ40/4XR

4MP IP PTZ CAMERA WITH  
AI-PRO TECHNOLOGY



4 MEGAPIXEL



2.8 ~ 12 MM



15m IR



300 PRESETS



IP66



### Key Features:

- 4 megapixel@25fps
- 2.8-12mm lens (4x zoom)
- Up to 15m IR distance (smart IR)
- Pan range : 0°-355°, tilt range : 5°-90°
- 80°/s pan speed, 40° tilt speed
- Starlight technology
- 300 presets & 8 tours
- Audio : 1 in (or use built-in mic) & 1 out
- SMD plus
- Face detection & people counting
- Perimeter protection : intrusion & tripwire
- Classification of human & vehicle
- IP66 waterproof
- IK08 vandal resistance
- DC 12V/POE



<b>Model Number</b>	DHIPPTZ40/4XR
<b>Image Sensor</b>	1/2.8" STARVIS™ CMOS
<b>Pixel</b>	4MP
<b>Max Resolution</b>	2560 (H) x 1440 (V)
<b>ROM</b>	4GB
<b>RAM</b>	1GB

(continued)

(continued)

<b>Electronic Shutter Speed</b>	1/1 s-1/30,000 s
<b>Scanning System</b>	Progressive
<b>Min. Illumination</b>	Colour: 0.005 Lux @ F1.8 B/W: 0.005 Lux @ F1.8 0Lux (IR light on)
<b>Illumination Distance</b>	15 m (49.21 ft)
<b>Illuminator On/Off Control</b>	Zoom Prio / Manual / Smart IR
<b>Illuminator Number</b>	3

#### Lens

<b>Focal Length</b>	2.8mm-12mm
<b>Max. Aperture</b>	F1.8 - F2.7
<b>Field of View</b>	H: 31.6°-96.9° V: 17.8°-51.4° D: 36.4°-116.2°
<b>Optical Zoom</b>	4x
<b>Focus Control</b>	Auto / Semi-Auto / Manual
<b>Close Focus Distance</b>	0.2m - 0.5m (0.66ft - 1.64ft)
<b>Iris Control</b>	Auto
<b>DORI Distance</b>	Detect : 147.0m (482.28ft) Observe: 58.8m (192.91ft) Recognize: 29.4m (96.46ft) Identify: 14.7 (48.23ft)

#### PTZ

<b>Pan / Tilt Range</b>	Pan: 0°-355° / Tilt: 5°-90°
<b>Manual Control Speed</b>	Pan: 0.1°/s-70°/s / Tilt: 0.1°/s-30°/s
<b>Preset Speed</b>	Pan: 80°/s / Tilt: 40°/s
<b>Presets</b>	300
<b>Tour</b>	8 (up to 32 presets per tour)
<b>Speed Adjustment</b>	Support
<b>Power-off Memory</b>	Support
<b>Idle Motion</b>	Preset / Tour

(continued)

**General Intelligence**

<b>Video Trigger</b>	Motion detection, Video tampering, Scene changing, Network disconnection, IP address conflict, Illegal Access, Storage anomaly
<b>IVS</b>	Object Abandoned / Missing

**Artificial Intelligence**

<b>People Counting</b>	Count people entering and exiting the area (crossing people counting); count people staying in the area (in-area people counting); display and export reports by day, week and month.
<b>Perimeter Protection</b>	Tripwire and intrusion. Support alarm triggering by target types (human and vehicle). Support filtering false alarms caused by animals, rustling leaves, bright lights, etc.
<b>SMD Plus</b>	Support
<b>Face Detection</b>	Support

**Video**

<b>Compression</b>	H.265; H.264BaselineProfile; H.264MainProfile; H.264HighProfile; MJPEG (Sub Stream); H.265+; H.264+
<b>Streaming Capability</b>	3 streams
<b>Resolution</b>	4M (2560 x 1440); 3M (2048 x 1536); 1080P (1920 x 1080); 1.3M (1280 x 960); 720P (1280 x 720); D1 (704 x 576/704 x 480); CIF (352 x 288/352 x 240)
<b>Frame Rate</b>	Main stream: 4M/3M (1–25/30fps), 1080P/1.3M/720P (1–25/30fps) Sub stream 1: D1/CIF (1–25/30fps) Sub stream 2: 720P (1–25/30fps), D1/CIF (1–25/30fps)
<b>Bit Rate Control</b>	Variable Bit Rate / Constant Bit Rate
<b>Bit Rate</b>	H.264/H.265/MJPEG: 3 kbps–20480 kbps
<b>Day / Night</b>	Auto (ICR) / Colour / B/W
<b>BLC</b>	Support
<b>WDR</b>	120 dB
<b>HLC</b>	Support
<b>White Balance</b>	Auto / Indoor / Outdoor / Track / Manual / Sodium lamp Natural light / Street lamp
<b>Gain Control</b>	Auto / Manual

(continued)

<b>Noise Reduction</b>	2D / 3D
<b>Motion Detection</b>	Support
<b>Region of Interest (RoI)</b>	Support
<b>Electronic Image Stabilization</b>	Support
<b>Electronic Defog</b>	Support
<b>Digital Zoom</b>	16x
<b>Flip</b>	0°/180°
<b>Privacy Masking</b>	Up to 24 areas, and up to 8 areas in the same view
<b>Audio</b>	
<b>Compression</b>	G.711a; G.711Mu; G.726; AAC; MPEG2-Layer2; G.722.1; G.729; G.723
<b>Network</b>	
<b>Ethernet</b>	RJ-45 (10/100Base-T)
<b>Protocol</b>	IPv4; IPv6; HTTP; HTTPS; 802.1x; Qos; FTP; SMTP; UPnP; SNMPv1/v2c/v3(MIB-2); DNS; DDNS; NTP; RTSP; RTP; TCP; UDP; IGMP; ICMP; DHCP; PPPoE; ARP; RTCP
<b>Interoperability</b>	ONVIF Profile S&G&T; CGI
<b>Streaming Method</b>	Unicats / Multicast
<b>User / Host</b>	20
<b>Storage</b>	FTP; Micro SD card (256G); P2P
<b>Browser</b>	IE; Chrome; Firefox; Safari (No version restriction)
<b>Management Software</b>	DMSS
<b>Mobile Phone</b>	iOS / Android
<b>Certification</b>	
<b>Certifications</b>	CE: EN55032/EN55024/EN50130-4 FCC: Part15 subpartB, ANSI C63.4-2014 UL62368-1+CAN/CSA C22.2,No. 62368-1
<b>Port</b>	
<b>Audio Input</b>	1 (Line in; bare wire or built in Mic)
<b>Audio Output</b>	1
<b>Power</b>	
<b>Power Supply</b>	DC12V/1.5A±15% / PoE (802.3af)
<b>Power Consumption</b>	3W / 8.5W (IR on)

(continued)

### Environment

**Operating Temperature** -30°C to +60°C (-22°F to 140°F)

**Operating Humidity** ≤95%

**Protection** IK08; IP66; TVS 6000V lightning proof; surge protection

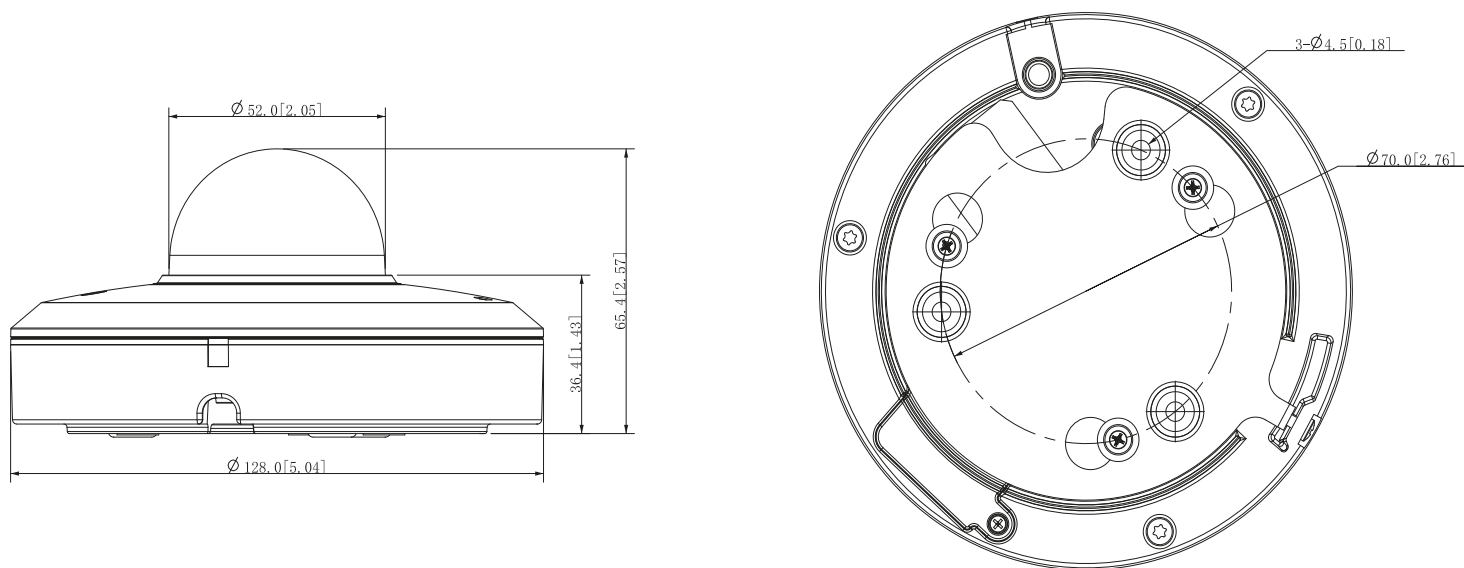
### Structure

**Dimensions**  $\Phi 128.0 \text{ mm} \times 65.4 \text{ mm}$  (5.04"  $\times$  2.57")

**Net Weight** 0.485 kg (1.06 lb)

**Gross Weight** 0.7 kg (1.54 lb)

### Dimensions (mm[inch])



All specifications are subject to change without notice. Copyright © Luxrite Ltd. All rights reserved