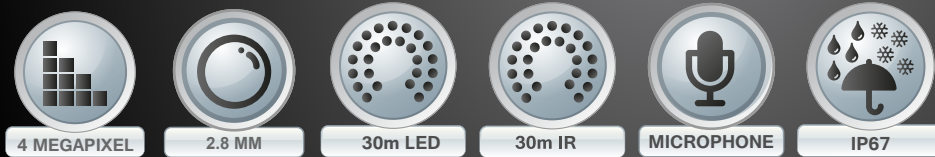


SPRO^{IP}

DHIPD40/28LRW-MS

4MP IP Active Deterrence LITE Turret Camera



Key Features:

- H.265
- 4 Megapixel
- 2.8mm Fixed Lens
- Microphone built-in
- Speaker / Siren built-in
- Classification of Human & Vehicle
- Warm Light Range: Up to 30m
- IR range: Up to 30m
- Two-way-Audio
- Perimeter Protection
- SMD+
- 120dB WDR
- Metal Housing
- IP67 Waterproof
- DC12V/POE



SPECIFICATIONS

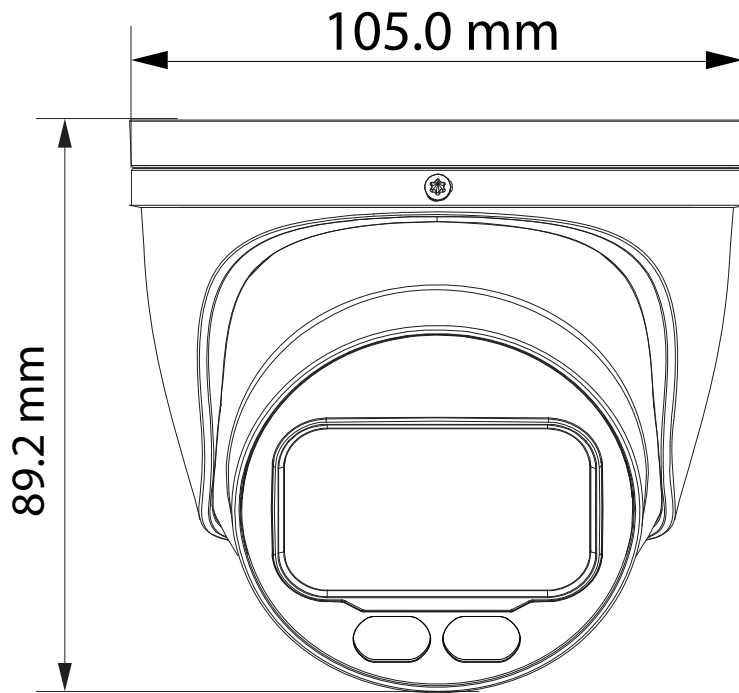
| | |
|------------------|---------------------|
| Model Number | DHIPD40/28LRW-MS |
| Image Sensor | 1/2.9" CMOS |
| Effective Pixels | 2688 (H) × 1520 (V) |
| ROM | 128 MB |
| RAM | 128 MB |
| Scanning System | Progressive |

(continued)

| | |
|-----------------------------------|---|
| Electronic Shutter Speed | Auto/Manual 1/3 s–1/100000 s |
| Min. Illumination | 0.004 lux@F1.0 (Colour, 30 IRE) 0.0004 lux@F1.0 (B/W, 30 IRE) 0 lux (Illuminator on) |
| S/N Ratio | >56 dB |
| Illumination Distance | 30 m (98.43 ft) (IR); 30 m (98.43 ft) (Warm light) |
| Illuminator On/Off Control | Auto/Manual |
| Illuminator Number | 1 (IR LED); 1 (Warm light) |
| Pan/Tilt/Rotation Range | Horizontal: 0°–360°; vertical: 0°–78°; rotation: 0°–360° |
| Lens | |
| Lens Type | Fixed focal |
| Mount Type | M12 |
| Focal Length | 2.8 mm |
| Max. Aperture | F1.0 |
| Field of View | H: 101.6°; V: 54.8°; D: 122.1° |
| Iris Type | Fixed |
| Close Focus Distance | 2.8 mm: 1.4 m (4.59 ft) |
| DORI Distance | Detect: 63.8 m Observe: 25.5 m Recognise: 12.8 m Identify: 6.4 m |
| Intelligence | |
| IVS (Perimeter Protection) | Intrusion, tripwire (the two functions support the classification and accurate detection of vehicle and human) |
| Smart Search | Work together with Smart NVR to perform refine intelligent search, event extraction and merging to event videos |
| SMD | SMD Plus |
| Video | |
| Video Compression | H.265; H.264; H.264H; H.264B; MJPEG (only supported by the sub stream) |
| Smart Codec | Smart H.265+/ Smart H.264+ |
| Video Frame Rate | Main stream: 2688 × 1520@(1–20 fps)/2560 × 1440@(1–25/30 fps); sub stream: 704 × 576@(1–25 fps)/704 × 480@(1–30 fps); *The values above are the max. frame rates of each stream; for multiple streams, the values will be subjected to the total encoding capacity. |

| | |
|--------------------------------|--|
| Stream Capability | 2 streams |
| Resolution | 4M (2688 × 1520); 3.6M (2560 × 1440); 3M (2304 × 1296); 1080p (1920 × 1080); 1.3M (1280 × 960); 720p (1280 × 720); D1 (704 × 576/704 × 480); VGA (640 × 480); CIF (352 × 288/352 × 240) |
| Bit Rate Control | CBR/VBR |
| Video Bit Rate | H.264: 32 Kbps–6144 Kbps H.265: 12 Kbps–6144 Kbps |
| Day/Night | Auto(ICR) / Colour / B/W |
| BLC | Yes |
| HLC | Yes |
| WDR | 120 dB |
| White Balance | Auto/natural/street lamp/outdoor/manual/regional custom |
| Gain Control | Auto/Manual |
| Noise Reduction | 3D NR |
| Motion Detection | OFF/ON (4 areas, rectangular) |
| Region of Interest(RoI) | Yes (4 areas) |
| Smart LED | Yes |
| Image Rotation | 0°/ 90°/ 180°/ 270° (Support 90° / 270° with 2688×1520 resolution and lower.) |
| Mirror | Yes |
| Privacy Masking | 4 areas |
| Audio | |
| Built-in MIC | Yes |
| Built-in Speaker | Yes |
| Audio Compression | G.711a; G.711Mu; PCM; G.726 |
| Alarm | |
| Alarm Event | No SD card; SD card full; SD card error; network disconnection; IP conflict; illegal access; motion detection; video tampering; tripwire; intrusion; audio detection; voltage detection; SMD; security exception |
| Network | |
| Network | RJ-45 (10/100 Base-T) |

| | |
|------------------------------|--|
| SDK and API | Yes |
| Network Protocol | IPv4; IPv6; HTTP; TCP; UDP; ARP; RTP ; RTSP; RTCP; RTMP; SMTP; FTP; SFTP; DHCP; DNS; DDNS; NTP; Multicast; ICMP; IGMP; NFS; P2P; auto registration |
| Interoperability | ONVIF (Profile S/Profile G/Profile T); CGI; P2P; Milestone; |
| User/Host | 6 (Total bandwidth: 36 M) |
| Storage | FTP; SFTP; Micro SD Card (support max. 256 G); |
| Browser | IE, Chrome, Firefox |
| Management Software | DMSS |
| Mobile Phone | iOS & Android |
| Cyber Security | Configuration encryption;Trusted execution;Digest;Security logs; WSSE;Account lockout;syslog;Video encryption;802.1x;IP/MAC filtering;HTTPS;Trusted upgrade;Trusted boot;Generation and importing of X.509 certification |
| Certification | |
| Certifications | CE-LVD: EN62368-1; CE-EMC: Electromagnetic Compatibility Directive 2014/30/EU |
| Power | |
| Power Supply | 12V DC/PoE |
| Power Consumption | Basic: 2 W (12 VDC), 2.6 W (PoE) Max. (H.265 + intelligence on + WDR + IR intensity + warm light deterrence + speaker): 8.6 W (12 VDC), 10.1 W (PoE) |
| General | |
| Operating Temperature | -40 °C to +60 °C (-40 °F to +140 °F) |
| Operating Humidity | ≤95% |
| Storage Temperature | -40 °C to +60 °C (-40 °F to +140 °F) |
| Storage Humidity | ≤95% |
| Protection | IP67 |
| Casing Material | Inner core: Metal - Cover: Plastic |
| Product Dimensions | 89.2 mm × Φ105 mm |
| Net Weight | 0.39 kg (0.86 lb) |
| Gross Weight | 0.57 kg (1.26 lb) |



All specifications are subject to change without notice. Copyright © Luxrite Ltd. All rights reserved