

# SPRO<sup>®</sup> IP

## DHIPD40-LR-DUO-D-W

4MP DUO IP PANORAMIC CAMERA  
WITH AI-PRO & COLOUR NIGHT

**COLOURNIGHT 2.0**  
SMART DUAL ILLUMINATION

**ACTIVE DETERRENCE 2.0**



### Key Features:

- 2 x 4 megapixel 2.8mm lens
- 180° panoramic splicing image
- Colour night 2.0 (Smart Illumination)
- Microphone & speaker built-in
- Up to 25m IR Range
- Up to 20m Warm Light Range
- Dual Microphone & Speaker Built-in (AOC)
- Active Deterrence 2.0
- AI PRO Technology
- EPTZ: Enlarge & track intelligent alarm targets
- Support up to 256GB micro SD card
- IP67 Waterproof
- DC12V/POE
- Compatible with NVR's 4K Range and A8 Range



<b>Model Number</b>	DHIPD40-LR-DUO-D-W
<b>Image Sensor</b>	Dual 1/2.7" CMOS
<b>Max Resolution</b>	4096 (H) x 1860 (V)
<b>ROM</b>	128 MB
<b>RAM</b>	1GB
<b>Scanning System</b>	Progressive

(continued)

(continued)

<b>Electronic Shutter Speed</b>	Auto / Manual 1/3 s-1/100,000 s
<b>Min. Illumination</b>	0.005 lux@F1.4 (Colour, 30 IRE) 0.0005 lux@F1.4 (B/W, 30 IRE) 0 lux (Illuminator on)
<b>S/N Ratio</b>	>56 dB
<b>Illumination Distance</b>	Up to 25 m (82.02 ft) (IR LED); Up to 20 m (65.62 ft) (Warm light)
<b>Illuminator On/Off Control</b>	Auto; Manual
<b>Illuminator Number</b>	2 (IR LED); 2 (Warm light)
<b>Pan / Tilt / Rotation Range</b>	Pan: 0°–360° / Tilt: 0°–77° / Rotation: 0°–360°

## Lens

<b>Lens Type</b>	Fixed-focal
<b>Lens Mount</b>	M12
<b>Focal Length</b>	2.8 mm
<b>Field of View</b>	Horizontal: 180°; Vertical: 86°
<b>Max. Aperture</b>	F1.4
<b>Iris Control</b>	Fixed
<b>Close Focus Distance</b>	0.8 m ( 2.62 ft)
<b>DORI Distance</b>	Detect: 50.6 m (166.01 ft) Observe: 20.2 m(66.27 ft) Recognise: 10.1 m (33.14 ft) Identify: 5.1 m(16.73 ft)

## Intelligence

<b>IVS (Perimeter Protection)</b>	Intrusion, tripwire (the two functions support the classification and accurate detection of vehicle and human)
<b>SMD</b>	4.0
<b>Smart Search</b>	Work together with Smart NVR to perform refine intelligent search, event extraction and merging to event videos.
<b>EPTZ</b>	Enlarge and track the targets of intelligent

(continued)

Video	
<b>Video Compression</b>	H.265; H.264; H.264H; H.264B; MJPEG (Only supported by the sub stream)
<b>Smart Codec</b>	Smart H.265+; Smart H.264+
<b>AI Coding</b>	AI H.265; AI H.264
<b>Video Frame Rate</b>	Main stream: 4096 × 1860@(1–20 fps) Sub stream: 1200 × 530@(1–20 fps) Third stream: 1920 × 860@(1–20 fps)  *The values above are the max. frame rates of each stream; for multiple streams, the values will be subjected to the total encoding capacity.
<b>Stream Capability</b>	3 streams
<b>Resolution</b>	4096 × 1860; 3632 × 1632; 3040 × 1368; 1200 × 530; 1920 × 860; 960 × 432
<b>Bit Rate Control</b>	CBR/VBR
<b>Video Bit Rate</b>	H.264: 6 kbps –16384 kbps H.265: 6 kbps –16384 kbps
<b>Day/Night</b>	Auto(ICR)/Colour/B/W
<b>BLC</b>	Yes
<b>HLC</b>	Yes
<b>WDR</b>	120 dB
<b>Scene Self-adaptation (SSA)</b>	Yes
<b>White Balance</b>	Auto; natural; street lamp; outdoor; manual; regional custom
<b>Gain Control</b>	Auto
<b>Noise Reduction</b>	3D NR
<b>Motion Detection</b>	OFF/ON (4 areas, rectangular)
<b>Region of Interest (RoI)</b>	Yes (4 areas)
<b>Privacy Masking</b>	4 areas
<b>Defog</b>	Yes

Audio	
<b>Built-in MIC</b>	Yes, built-in dual Mic
<b>Audio Compression</b>	Yes, built-in speaker
<b>Audio Compression</b>	G.711a; G.711Mu; PCM; G.726; G.723
Alarm	
<b>Alarm Event</b>	No SD card; SD card full; SD card error; network disconnection; IP conflict; illegal access; motion detection; video tampering; tripwire; intrusion; scene changing; audio detection; voltage detection; external alarm; SMD; security exception
Network	
<b>Network Port</b>	RJ-45 (10/100 Base-T)
<b>SDK and API</b>	Yes
<b>Cyber Security</b>	Video encryption; Firmware encryption; Configuration encryption; Digest; WSSE; Account lockout; Security logs; IP/MAC filtering; Generation and importing of X.509 certification; syslog; HTTPS; 802.1x; Trusted boot; Trusted execution; Trusted upgrade
<b>Network Protocol</b>	IPv4; IPv6; HTTP; TCP; UDP; ARP; RTP; RTSP; RTCP; RTMP; SMTP; FTP; SFTP; DHCP; DNS; DDNS; QoS; UPnP; NTP; Multicast; ICMP; IGMP; NFS; SAMBA; PPPoE; SNMP; P2P
<b>Interoperability</b>	ONVIF ( Profile S/Profile G/Profile T); CGI;
<b>User/Host</b>	20 (Total bandwidth: 64M)
<b>Storage</b>	FTP; SFTP; Micro SD card (support max. 256 GB); NAS
<b>Browser</b>	IE: IE 8 and later; Chrome; Firefox
<b>Management Software</b>	DMSS
<b>Mobile Client</b>	iOS; Android
Port	
<b>Audio Input</b>	1 channel (RCA port)
<b>Audio Output</b>	1 channel (RCA port)
<b>Alarm Input</b>	1 channel in: wet contact, 5mA 3 V-5 VDC
<b>Alarm Output</b>	1 channel out: wet contact, 300mA 12 VDC

## Power

<b>Power Supply</b>	CE-LVD: EN62368-1
<b>Power Consumption</b>	CE-EMC: Electromagnetic Compatibility Directive 2014/30/EU FCC: 47 CFR FCC Part 15, Subpart B UL/CUL: UL60950-1 CAN/CSA C22.2 No.60950-1-07

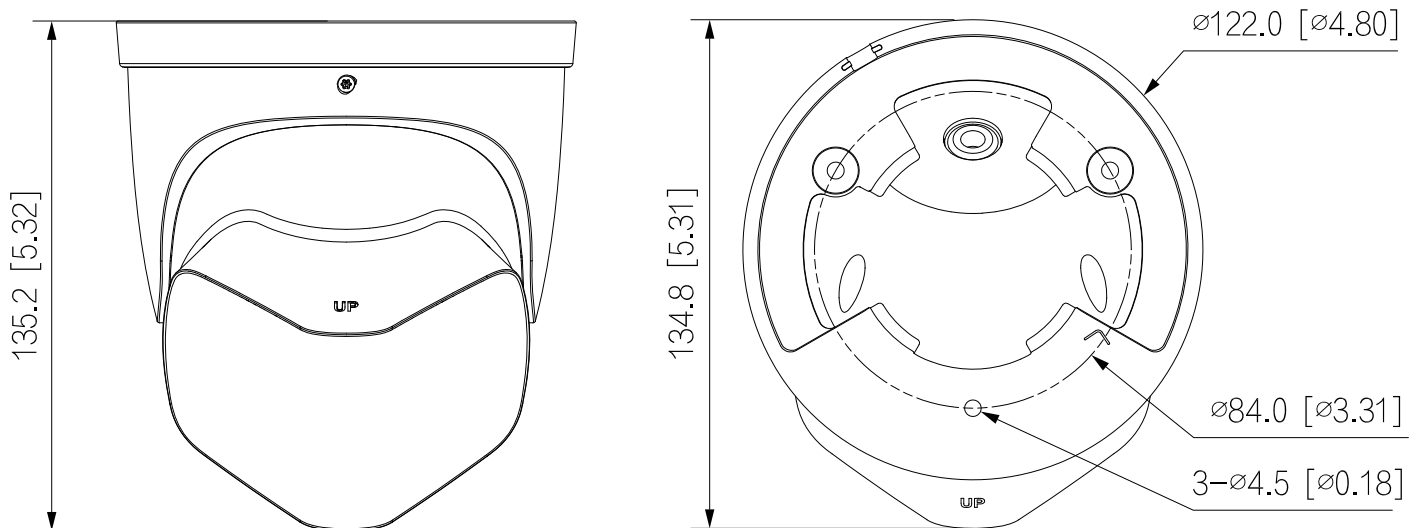
## Environment

<b>Operating Temperature</b>	-40 °C to +60 °C (-40 °F to +140 °F)
<b>Operating Humidity</b>	≤95%
<b>Storage Temperature</b>	-40 °C to +60 °C (-40 °F to +140 °F)
<b>Protection</b>	IP67

## Structure

<b>Casing</b>	Metal
<b>Product Dimensions</b>	Φ122 mm × 135.2 mm (Φ4.80" × 5.32" )
<b>Net Weight</b>	990 g (2.18 lb)
<b>Gross Weight</b>	1150 g (2.54 lb)

## Dimensions (mm[inch])



All specifications are subject to change without notice. Copyright © Luxrite Ltd. All rights reserved