



**SPRO**<sup>IP</sup>

**COLOURNIGHT 2.0**

# DHIPD40/28LRW-M

4MP IP Smart Dual Illumination Turret Camera



-   
4 MEGAPIXEL
-   
2.8 MM
-   
30m LED
-   
30m IR
-   
MICROPHONE
-   
IP67

**ONVIF**

**AOC**  
AUDIO CAT5e CABLE

**Key Features:**

- H.265
- 4 Megapixel
- 2.8mm Fixed Lens
- Microphone built-in (AOC)
- Classification of Human & Vehicle
- Warm Light Range: Up to 30m
- IR range: Up to 30m
- Intrusion & Tripwire
- SMD+
- 120dB WDR
- Metal Housing
- IP67 Waterproof
- DC12V/POE



**AI PRO**  
ARTIFICIAL INTELLIGENCE

## SPECIFICATIONS

<b>Model Number</b>	DHIPD40/28LRW-M
<b>Image Sensor</b>	1/2.9" CMOS
<b>Effective Pixels</b>	2688 (H) × 1520 (V)
<b>ROM</b>	128 MB
<b>RAM</b>	128 MB
<b>Scanning System</b>	Progressive

(continued)

<b>Electronic Shutter Speed</b>	Auto/Manual 1/3 s–1/100000 s
<b>Min. Illumination</b>	0.008 lux@F1.6 (Color, 30 IRE) 0.0008 lux@F1.6 (B/W, 30 IRE) 0 lux (Illuminator on)
<b>S/N Ratio</b>	>56 dB
<b>Illumination Distance</b>	30 m (98.43 ft) (IR); 30 m (49.21 ft) (Warm light)
<b>Illuminator On/Off Control</b>	Auto/Manual
<b>Illuminator Number</b>	1 (IR LED); 1 (Warm light)
<b>Pan/Tilt/Rotation Range</b>	Pan 0°–360°; Tilt: 0°–78°; rotation: 0°–360°
<b>Lens</b>	
<b>Lens Type</b>	Fixed focal
<b>Mount Type</b>	M12
<b>Focal Length</b>	2.8 mm
<b>Max. Aperture</b>	F1.6
<b>Field of View</b>	Horizontal: 95°; vertical: 52°; diagonal: 114°
<b>Iris Type</b>	Fixed
<b>Close Focus Distance</b>	0.9 m (2.95 ft)
<b>DORI Distance</b>	Detect: 63.6m   Observe: 25.4 m   Recognize: 12.7 m   Identify: 6.4 m
<b>Intelligence</b>	
<b>IVS (Perimeter Protection)</b>	Intrusion, tripwire (the two functions support the classification and accurate detection of vehicle and human)
<b>Smart Search</b>	Work together with Smart NVR to perform refine intelligent search, event extraction and merging to event videos
<b>Video</b>	
<b>Video Compression</b>	H.265; H.264; H.264H; H.264B; MJPEG (only supported by the sub stream)
<b>Smart Codec</b>	Smart H.265+ / Smart H.264+
<b>Video Frame Rate</b>	Main stream (2688 × 1520@1–20 fps); (2560 × 1440@1–25 fps) Sub stream (704 × 576 @1-25 fps/704 × 480 @ 1-20fps) *The values above are the max. frame rates of each stream; for multiple streams, the values will be subjected to the total encoding capacity.

<b>Stream Capability</b>	2 streams
<b>Resolution</b>	4M 2688 × 1520 3.6M 2560 × 1440; 3M (2304 × 1296); 1080p (1920 × 1080); 1.3M (1280 × 960); 720p (1280 × 720); D1 (704 × 576/704 × 480); VGA (640 × 480); CIF (354 × 288/354 × 240)
<b>Bit Rate Control</b>	CBR/VBR
<b>Video Bit Rate</b>	H.264: 32 Kbps–6144 Kbps H.265: 12 Kbps–6144 Kbps
<b>Day/Night</b>	Auto(ICR)/Color/B/W
<b>BLC</b>	Yes
<b>HLC</b>	Yes
<b>WDR</b>	120 dB
<b>White Balance</b>	Auto/natural/street lamp/outdoor/manual/regional custom
<b>Gain Control</b>	Auto/Manual
<b>Noise Reduction</b>	3D DNR
<b>Motion Detection</b>	OFF/ON (4 areas, rectangular)
<b>Region of Interest(RoI)</b>	Yes (4 areas)
<b>Smart LED</b>	Yes
<b>Image Rotation</b>	0°/ 90°/ 180°/ 270° (Support 90° / 270° with 2688×1520 resolution and lower.)
<b>Mirror</b>	Yes
<b>Privacy Masking</b>	4 areas
<b>Audio</b>	
<b>Built-in MIC</b>	Yes
<b>Audio Compression</b>	G.711a; G.711Mu; PCM; G.726
<b>Alarm</b>	
<b>Alarm Event</b>	No SD card; SD card full; SD card error; network disconnection; IP conflict; illegal access; motion detection; video tampering; tripwire; intrusion; voltage detection; security exception
<b>Network</b>	
<b>Network</b>	RJ-45 (10/100 Base-T)
<b>SDK and API</b>	Yes

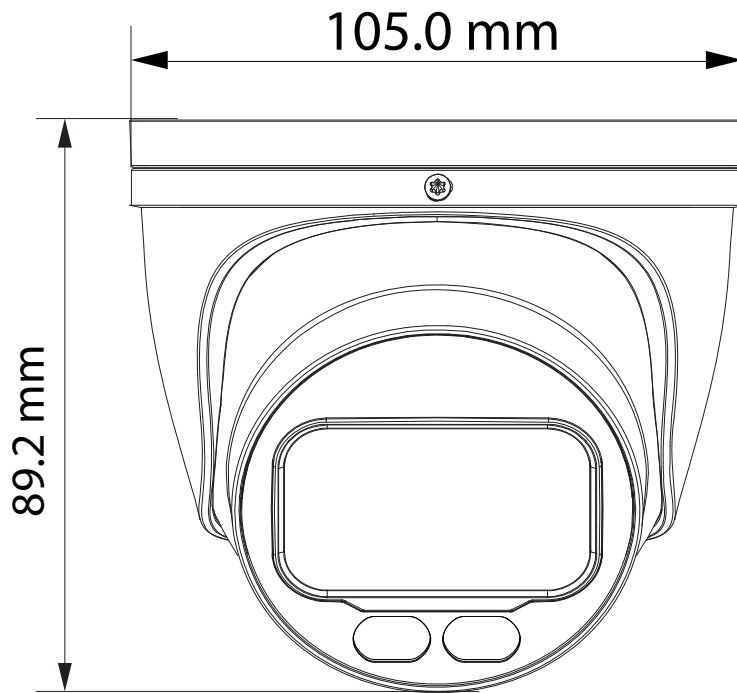
<b>Network Protocol</b>	IPv4; IPv6; HTTP; TCP; UDP; ARP; RTP; RTSP; RTCP; RTMP; SMTP; FTP; SFTP; DHCP; DNS; DDNS; NTP; Multicast; ICMP; IGMP
<b>Interoperability</b>	ONVIF (Profile S / Profile T); CGI; P2P; Milestone;
<b>User/Host</b>	6 (Total bandwidth: 36 M)
<b>Storage</b>	FTP; SFTP; Micro SD Card (support max. 256 G);
<b>Browser</b>	IE: IE8, IE9, IE11, Chrome, Firefox
<b>Management Software</b>	SPRO CSS. DMSS
<b>Mobile Phone</b>	iPhone, iPad & Android
<b>Cyber Security</b>	Configuration encryption; Trusted execution; Digest; Security logs; WSSE; Account lockout; syslog; Video encryption; 802.1x; IP/MAC filtering; HTTPS; Trusted upgrade; Trusted boot; Firmware encryption; Generation and importing of X.509 certification

## Certification

<b>Certifications</b>	CE-LVD: EN 62368-1 CE-EMC: Electromagnetic Compatibility Directive 2014/30/EU FCC: 47 CFR FCC Part 15, Subpart B
-----------------------	--

## General

<b>Power Supply</b>	12V DC/PoE (802.3af)
<b>Power Consumption</b>	Basic: 2.1 W (12 VDC); 2.7 W (PoE) Max. (H.265 + intelligence + WDR + warm light): 4.4 W (12 VDC); 5.2 W (PoE)
<b>Operating Conditions</b>	-40°C to +60°C (-40°F to +140°F)/less than ≤95%
<b>Storage Conditions</b>	-40°C to +60°C (-40°F to +140°F)
<b>Ingress Protection</b>	IP67
<b>Casing</b>	Metal
<b>Dimensions</b>	89.2 mm × Φ105.0 mm
<b>Net Weight</b>	0.365 kg
<b>Gross Weight</b>	0.527 kg



All specifications are subject to change without notice. Copyright © Luxrite Ltd. All rights reserved