

SPRO[®]

DHD80/36RW-T-M

8 Megapixel HDCVI IR Turret Camera
With Microphone Built-in



8 MEGAPIXEL



3.6MM



50m IR



MICROPHONE



IP67

Key Features:

- 8 megapixel
- 3.6mm fixed Lens
- Microphone Built-in
- Up to 50m IR distance (smart IR)
- Microphone built-in
- Audio over co-ax
- Audio on/off (controlled by DVR)
- 120dB WDR
- IP67 waterproof
- DC12V



SPECIFICATIONS

Model Number	DHD80/36RW-T-M
Image Sensor	1/2.7" CMOS
Effective Pixels	3840 (H)×2160 (V), 4K
Electronic Shutter Speed	PAL: 1/3s-1/100000s NTSC: 1/4s-1/100000s
Min. Illumination	0.03Lux/F2.0, 30IRE, 0Lux IR on
Max. IR LEDs Length	Up to 50m
IR On/Off Control	Auto/ Manual
IR LEDs	1

(continued)

Lens

Lens Type	Fixed-focal
Mount Type	M12
Focal Length	3.6mm
Max Aperture	F2.0
Angle of View	104°×87°×47°
Iris type	Fixed Iris

Pan/Tilt/Rotation

Pan/Tilt/Rotation Range	Pan:0°~360° / Tilt: 0° ~ 78° / Rotation: 0° ~ 360°
--------------------------------	--

Video

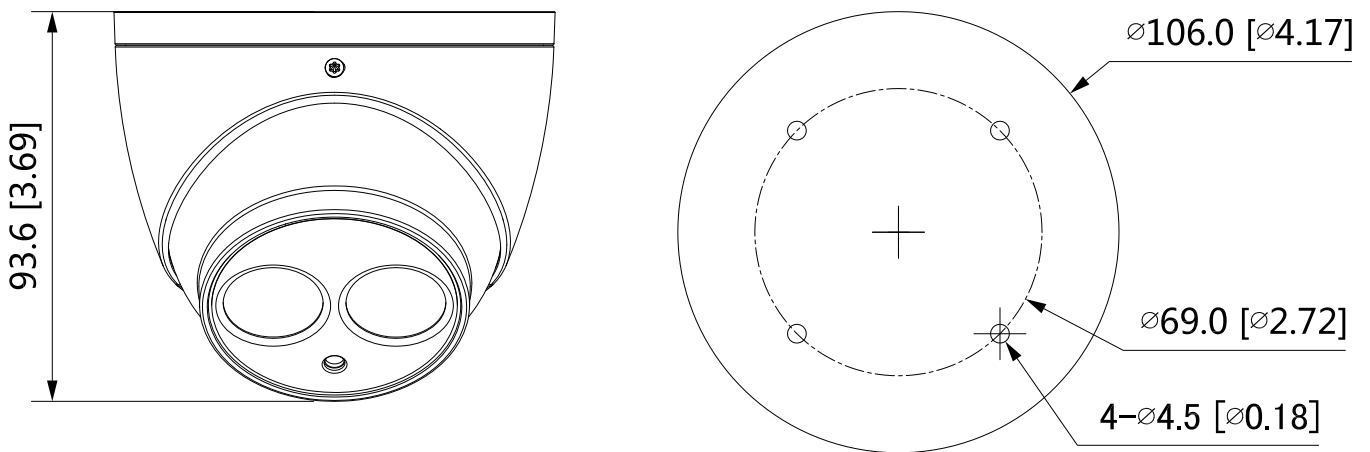
Resolution	4K (3840×2160); 5M (2592×1944); 4M (2560×1440); 960H (960× 576/960×480)
Video Frame Rate	CVI: 4K@15fps; 5M@20fps; 4M@25fps/30fps
Day/Night	Auto switch by ICR
OSD Menu	Multi-language
BLC Mode	BLC / HLC / WDR
WDR	120dB/WDR
Gain Control	Auto; manual
Noise Reduction	2D&3D NR
White Balance	Auto / Manual
Smart IR	Yes
Electronic Defog	Yes
Digital Zoom	4X
Mirror	Off/On
Privacy Masking	Off/On (8 area, rectangle)

Interface

Audio Interface	Built-in Mic
------------------------	--------------

General

Power Supply	12V DC \pm 30%
Power Consumption	Max 4.5W (12V DC, IR on)
Operating Conditions	-40°C ~ +60°C / Less than 95% RH
Storage Conditions	-40°C ~ +60°C / Less than 95% RH
Ingress Protection	IP67
Casing	Metal throughout the whole casing
Dimensions	Φ 106mm \times 93.6mm (Φ 4.17" \times 3.69")
Net Weight	470g (1.04lb)
Gross Weight	620g (1.37lb)



All specifications are subject to change without notice. Copyright © Luxrite Ltd. All rights reserved