

**SPRO**<sup>®</sup>

# DHD50/28RW-T-M-POC

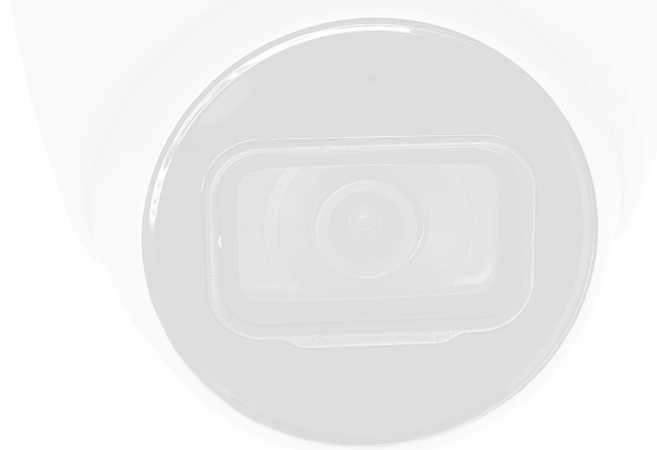
5 Megapixel POC IR Dome Camera

Power Over Co-ax Cable



## Key Features:

- 5MP@25fps
- 2.8mm fixed Lens
- POC (power over co-ax)
- Microphone Built-in (Directional, audio over co-ax)
- Up to 200m POC transmission distance
- Up to 50M IR distance
- Smart IR
- IP67 waterproof
- POC / DC12V



## SPECIFICATIONS

<b>Model Number</b>	DHD50/28RW-T-M-POC
<b>Image Sensor</b>	1/2.7" inch CMOS
<b>Effective Pixels</b>	2880(H)×1620(V), 5MP
<b>Scanning System</b>	Progressive
<b>Electronic Shutter Speed</b>	1/25~1/100000s
<b>Min. Illumination</b>	0.005 Lux/F1.6, 30IRE, 0 Lux IR on
<b>S/N Ratio</b>	> 65 dB
<b>Max. IR LEDs Length</b>	Up to 50m
<b>IR On/Off Control</b>	Auto/ Manual
<b>IR LEDs</b>	2

(continued)

Lens						
<b>Lens Type</b>		Fixed-focal				
<b>Mount Type</b>		M12				
<b>Field of View</b>		2.8 mm: 132° × 111° × 58°				
		3.6 mm: 109° × 92° × 48°				
		6 mm: 65° × 57° × 30°				
<b>Iris Type</b>		Fixed Iris				
<b>Close Focus Distance</b>		2.8mm: 0.9m (3.0ft)				
<b>DORI</b>	<b>Lens</b>	<b>Detect</b>	<b>Observe</b>	<b>Recognize</b>	<b>Identify</b>	
<b>Distance</b>	<b>2.8mm</b>	63.6 m	25.4 m	12.7 m	6.4 m	
Pan / Tilt / Rotation Range						
<b>Pan / Tilt / Rotation Range</b>		Pan: 0°–360°; Tilt: 0°–78°; 0°–360°				
Video						
<b>Frame Rate</b>		CVI:				
		PAL: 5M@25 fps; 4M@25 fps; 1080P@25 fps;				
		NTSC: 5M@25 fps; 4M@30 fps; 1080P@30 fps				
		AHD:				
		PAL: 4M@25 fps;				
		NTSC: 4M@30 fps				
		TVI:				
		PAL: 4M@25 fps;				
		NTSC: 4M@30 fps				
		CVBS:				
PAL: 960H;						
NTSC: 960H						
<b>Resolution</b>		5M (2880 × 1620); 4M (2560 × 1440); 1080P (1920 × 1080); 960 H (960 × 576/960 × 480)				

<b>Day / Night</b>	Auto switch by ICR
<b>BLC</b>	BLC / HLC / DWDR
<b>WDR</b>	Auto; Manual
<b>White Balance</b>	Auto; Manual
<b>Gain Control</b>	2D NR
<b>Noise Reduction</b>	Yes
<b>Smart IR</b>	Off / On
<b>Mirror</b>	Off / On
<b>Privacy Masking</b>	Off / On ( 8 areas, rectangle )

#### Certifications

<b>Certifications</b>	CE (EN55032:2015, EN 61000-3-2:2014, EN 61000-3-3:2013, EN55024:2010+A1:2015, EN 55035:2017, EN50130-4:2011+A1:2014, EN 62368-1:2014+A11:2017) FCC (CFR 47 FCC Part 15 subpartB, ANSI C63.4-2014) UL (UL60950-1+CAN/CSA C22.2 No.60950-1)
-----------------------	-------------------------------------------------------------------------------------------------------------------------------------------------------------------------------------------------------------------------------------------

#### Port

<b>Audio Interface</b>	One channel built-in mic
<b>Video Output</b>	Video output choices of CVI / TVI / AHD / CVBS by one BNC port

#### Power

<b>Power Supply</b>	PoC (only CVI)/12V±30% DC
<b>Power Consumption</b>	Max 5.2W (12V DC, IR on) PoC (AF)

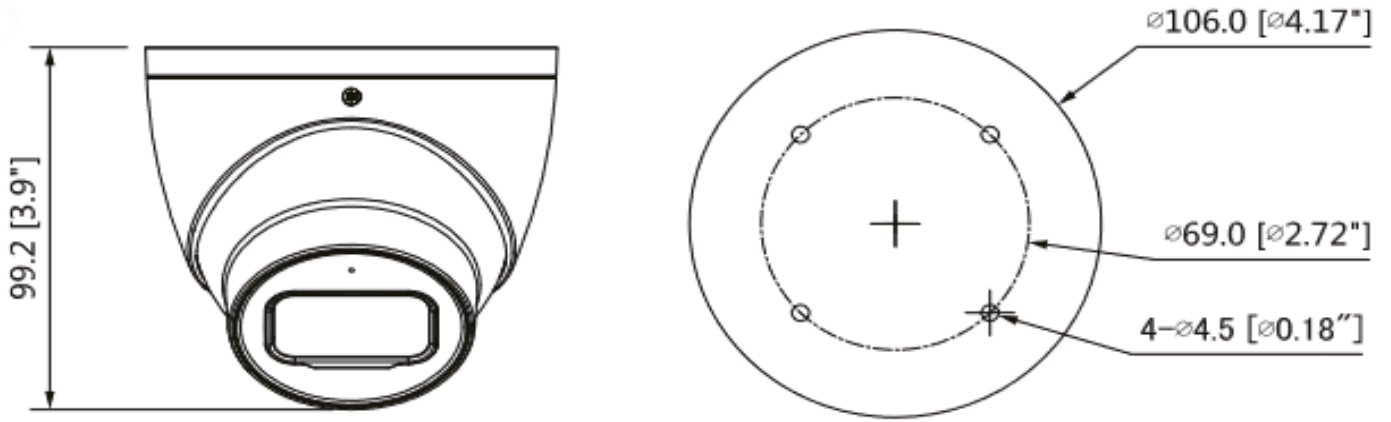
#### Environment

<b>Operating Temperature</b>	-40°C to +60°C (-40°F to 140°F); < 95% (non-condensation)
<b>Storage Temperature</b>	-40°C to +60°C (-40°F to 140°F); < 95% (non-condensation)
<b>Protect on Grade</b>	IP67

#### Structure

<b>Casing</b>	Metal dome+metal cover
<b>Camera Dimensions</b>	φ106 mm × 69.0. mm (φ4.17" × 2.72")
<b>Net Weight</b>	0.55 kg (1.21 lb)
<b>Gross Weight</b>	0.71 kg (1.57 lb)

Dimensions (mm [ inch ])



All specifications are subject to change without notice. Copyright © Luxrite Ltd. All rights reserved