

SPRO[®]

DHD50-28RV-W-4

5 Megapixel IR Dome Camera



5 MEGAPIXEL



2.8 MM



30m IR



IP67



VANDAL PROOF



Key Features:

- 5MP@20fps
- 2.8mm fixed lens
- Max. IR distance 30m
- Smart IR
- WDR
- IK10, IP67 waterproof
- DC12V



SPECIFICATIONS

Model Number	DHD50-28RV-W-4
Image Sensor	1/2.7" CMOS
Effective Pixels	2592(H)×1944(V), 5MP
Scanning System	Progressive
Electronic Shutter Speed	1/25~1/100000s
Min. Illumination	0.02Lux/F1.85, 30IRE, 0Lux IR on
S/N Ratio	More than 65dB
Max. IR LEDs Length	Up to 30m
IR On/Off Control	Auto/ Manual
IR LEDs	12

(continued)

Lens

Lens Type	Fixed lens
Mount Type	Board-in
Focal Length	2.8mm
Max Aperture	F1.85
Angle of View	H: 98°
Focus Control	N/A

Pan/Tilt/Rotation

Pan/Tilt/Rotation Range	Pan:0°~355° / Tilt: 0° ~ 65° / Rotation: 0° ~ 355°
--------------------------------	--

Video

Resolution	5MP (2592×1944)
Frame Rate	20fps@5MP, 25/30fps@4MP, 25/30fps@1080P
Video Output	4 in 1 : CVI / TVI / AHD / CVBS
Day/Night	Auto (ICR) / Manual
OSD Menu	Multi-language
BLC Mode	BLC / HLC / DWDR
WDR	DWDR
Gain Control	AGC
Noise Reduction	2D
White Balance	Auto / Manual
Smart IR	Auto / Manual

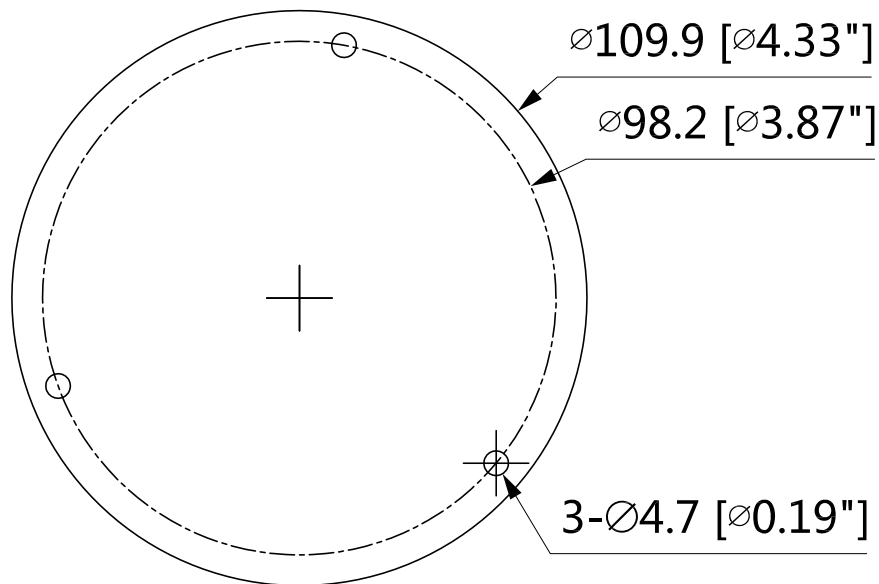
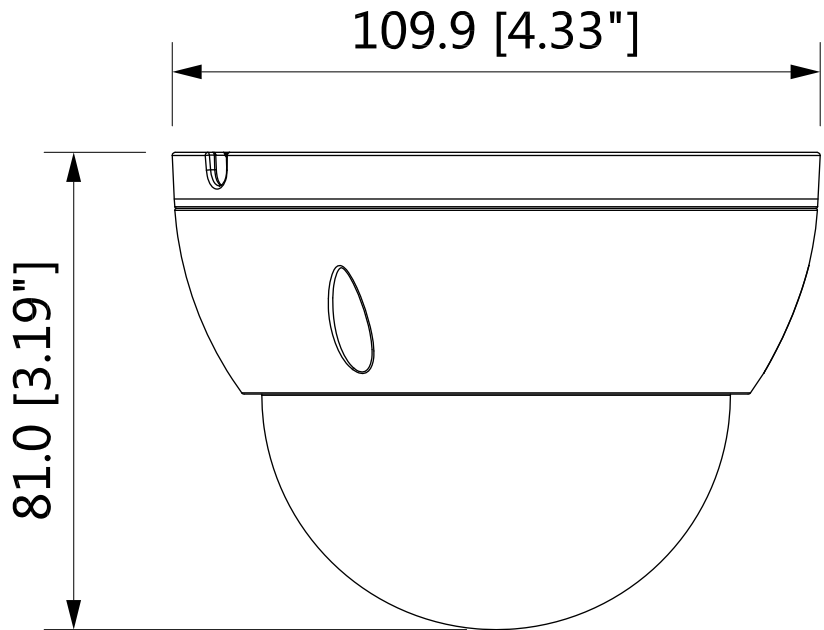
Interface

Audio Interface	N/A
------------------------	-----

General

Power Supply	12V DC ±30%
Power Consumption	Max 4.2W (12V DC, IR on)
Operating Conditions	-40°C ~ +60°C / Less than 95% RH
Storage Conditions	-40°C ~ +60°C / Less than 95% RH
Ingress Protection &	IP67, IK10
Vandal Resistance	

Casing	Aluminium
Dimensions	Φ109.9mm×81.0mm (Φ4.33"×3.19")
Net Weight	0.31kg (0.68lb)
Gross Weight	0.45kg (0.99lb)



All specifications are subject to change without notice. Copyright © Luxrite Ltd. All rights reserved