

SPRO[®]

DHQ40/28RW-POC

4MP IR BULLET CAMERA WITH POC
POWER OVER CO-AX CABLE



Key Features:

- 1080P@25fps
- 2.8mm fixed Lens
- POC (power over co-ax)
- Up to 200m POC transmission distance
- Up to 15M IR distance
- Smart IR
- IP66 waterproof
- DC12V



SPECIFICATIONS

Model Number	DHQ40/28RW-POC
Image Sensor	1/3" CMOS
Effective Pixels	2688(H)×1520(V), 4.1MP
Scanning System	Progressive
Electronic Shutter Speed	1/25~1/100000s
Min. Illumination	0.03Lux/F1.9, 30IRE, 0Lux IR on
S/N Ratio	More than 65dB
Max. IR LEDs Length	Up to 15m
IR On/Off Control	Auto/ Manual
IR LEDs	1

(continued)

Lens

Lens Type	Fixed lens / Fixed iris
Mount Type	Board-in
Focal Length	2.8mm
Max Aperture	F1.9
Angle of View	H:78°
Focus Control	N/A

Pan/Tilt/Rotation

Pan/Tilt/Rotation Range	Pan:0°~360° / Tilt: 0° ~ 78° / Rotation: 0° ~ 360°
--------------------------------	--

Video

Resolution	4MP (2560×1440)
Frame Rate	25fps@4MP, 25fps@1080P, 25/50fps@720P
Video Output	1-channel BNC HD-CVI video output
Day/Night	Auto (ICR) / Manual
OSD Menu	Multi-language
BLC Mode	BLC / HLC / DWDR
WDR	DWDR
Gain Control	AGC
Noise Reduction	2D
White Balance	Auto / Manual
Smart IR	Auto / Manual

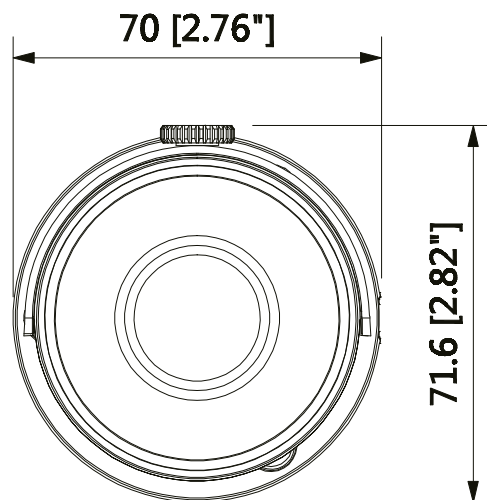
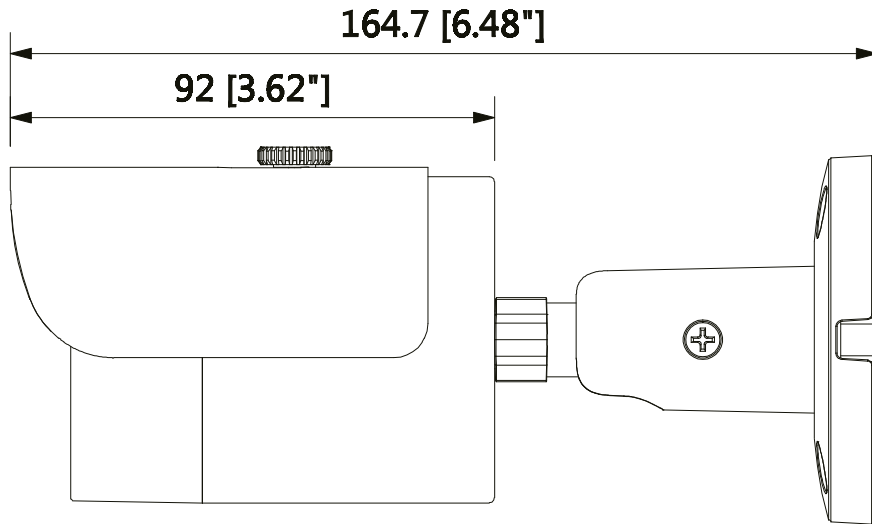
Interface

Audio Interface	N/A
------------------------	-----

General

Power Supply	POC/12V DC ±25%
Power Consumption	Max 4.6W (12V DC, IR on)
Operating Conditions	-40°C ~ +60°C / Less than 90% RH
Storage Conditions	-40°C ~ +60°C / Less than 90% RH
Ingress ProtectionCasing	IP66 Aluminium

Dimensions	164.7mm×70mm×71.6mm (6.48"×2.76"×2.82")
Net Weight	0.38kg (0.84lb)
Gross Weight	0.47kg (1.04lb)



All specifications are subject to change without notice. Copyright © Luxrite Ltd. All rights reserved