

**SPRO**<sup>®</sup>



## SPD20/2812R-30M-4

2Megapixel 1080P Water-proof  
**4 IN 1** ( CVI / TVI / AHD / ANALOGUE )



### Key Features:

- 2Megapixel CMOS
- 1080P@25fps
- 4 IN 1 ( CVI / TVI / AHD / ANALOGUE )
- High speed, long distance real-time transmission
- Day/Night(ICR), AWB, AGC, BLC, 2DNR
- 2.8~12mm vari-focal lens
- Max. IR distance 30m
- IP66, DC12V



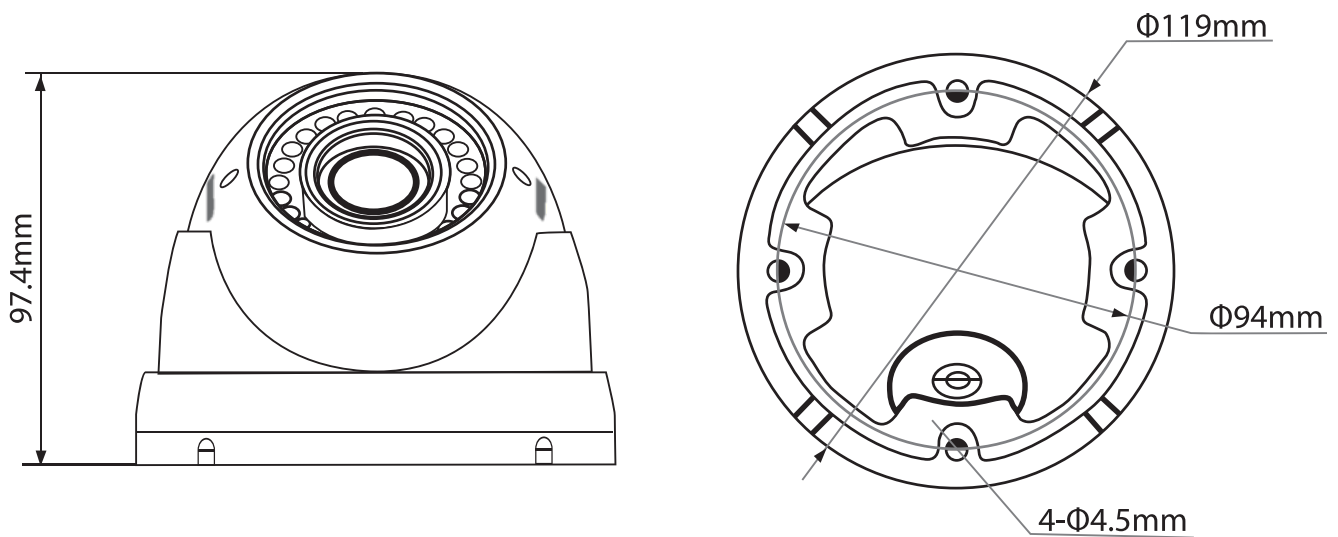
### SPECIFICATIONS

<b>Model Number</b>	SPD20/2812R-30M-4
<b>Image Sensor</b>	2Megapixel CMOS
<b>Effective Pixels</b>	1930(H) × 1088(V)
<b>Electronic Shutter Speed</b>	1/50s~1/100,000s
<b>Video Frame Rate</b>	1080P@25fps
<b>Synchronization</b>	Internal
<b>Min. Illumination</b>	0.02Lux/F1.4, 0Lux IR on
<b>Video Output</b>	CVI/TVI/AHD/ANALOGUE
<b>Camera Features</b>	
<b>Max. IR distance</b>	30 meters

(continued)

(continued)

<b>Day/Night</b>	Auto(ICR) / Color / B/W
<b>Noise Reduction</b>	2D
<b>Lens</b>	
<b>Focal Length</b>	2.8~12mm
<b>Angle of View</b>	H: 99°~37°
<b>Lens Type</b>	Manual / Fixed Iris
<b>Mount Type</b>	Φ14
<b>General</b>	
<b>Power Supply</b>	DC12V±20%
<b>Power Consumption</b>	Max 3.8W
<b>Working Environment</b>	-30°C~+60°C / Less than 95%RH (no condensation)
<b>Ingress Protection</b>	IP66
<b>Dimensions</b>	Ø119mm × 97.4mm
<b>Weight</b>	0.55kg



All specifications are subject to change without notice. Copyright © Luxrite Ltd. All rights reserved