

**SPRO**<sup>®</sup>

**STARLIGHT**

# DHPTZ20/25XR-V2

2 Megapixel HDCVI IR PTZ Camera  
25x Optical Zoom, 100M IR (Smart IR)  
PTZ control over coax cable



2 MEGAPIXEL



4.8 ~ 120 MM



100m IR



1080 P



300 PRESETS



IP66



## Key Features:

- 25x optical zoom
- 1080P@25fps(1920x1080)
- Starlight technology
- DWDR, Day/Night(ICR), Ultra DNR, Auto IRIS, Auto focus
- Max 240°/s pan speed, 360° endless pan rotation
- PTZ control over coaxial cable, long distance real-time transmission
- Up to 300 presets, 5 auto scan, 8 tour, 5 pattern
- Built-in 2/1 alarm in/out
- Intelligent 3D positioning & Zoom using mouse control
- IR distance up to 100m (Smart IR)
- IP66

## SPECIFICATIONS

<b>Model Number</b>	DHPTZ20/25XR-V2
<b>Image Sensor</b>	1/2.8" 2Megapixel STARVIS CMOS
<b>Effective Pixels</b>	1920(H) x 1080(V), 2Megapixels
<b>Horizontal Resolution</b>	≥1000TVL
<b>Scanning System</b>	Progressive
<b>Electronic Shutter Speed</b>	1/3 ~ 1/30,000s
<b>Min. Illumination</b>	Color: 0.005Lux@F1.6; 0Lux@F1.6 (IR on)
<b>S/N Ratio</b>	More than 55dB
<b>Resolution</b>	1080P@25fps
<b>Video Output</b>	1-channel BNC HDCVI high definition video output

(continued)

## Camera Features

<b>Day/Night</b>	Auto(ICR) / Color / B/W
<b>Backlight Compensation</b>	BLC / HLC / DWDR (Digital WDR)
<b>White Balance</b>	Auto, ATW, Indoor, Outdoor, Manual
<b>Gain Control</b>	Auto / Manual
<b>Noise Reduction</b>	2D/3D
<b>Privacy Masking</b>	Up to 24 areas
<b>Digital Zoom</b>	16x

## Lens

<b>Focal Length</b>	4.8mm~120mm (25x Optical zoom)
<b>Max Aperture</b>	F1.6~ F4.4
<b>Focus Control</b>	Auto / Manual
<b>Angle of View</b>	H: 62.8° ~ 2.6°

## PTZ

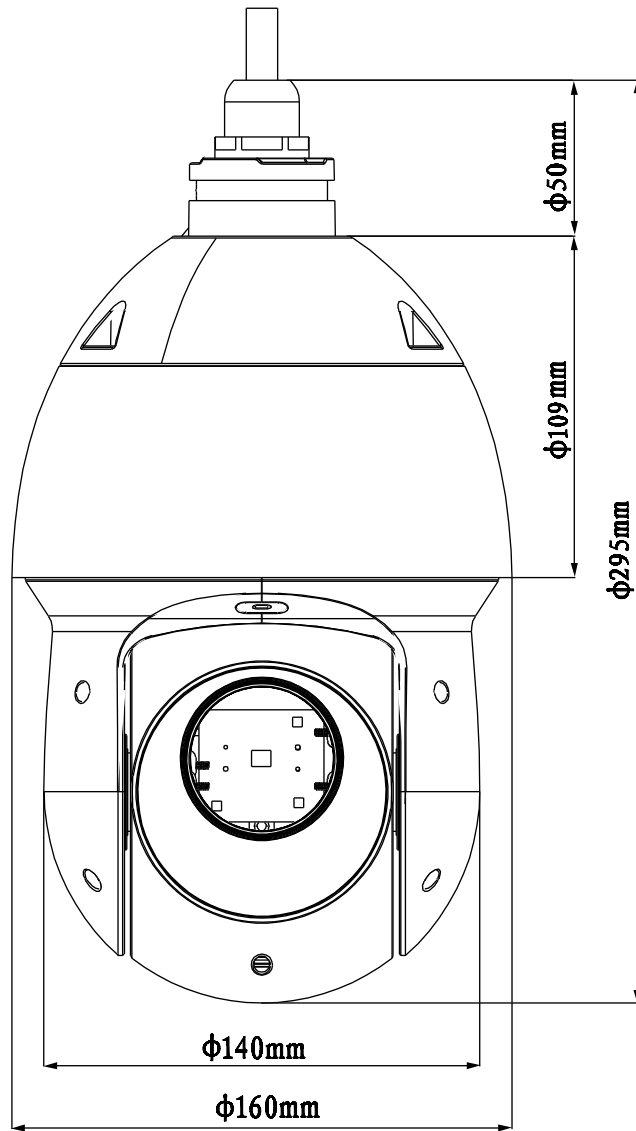
<b>Pan/Tilt Range</b>	Pan: 0° ~ 360° endless; Tilt: -15° ~ 90°, auto flip 180°
<b>Manual Control Speed</b>	Pan: 0.1° ~200° /s; Tilt: 0.1° ~120° /s
<b>Preset Speed</b>	Pan: 240° /s; Tilt: 200° /s
<b>Preset</b>	300
<b>PTZ Mode</b>	5 Pattern, 8 Tour, Auto Pan, Auto Scan
<b>Speed Setup</b>	Human-oriented focal length/ speed adaptation
<b>Power up Action</b>	Auto restore to previous PTZ and lens status after power failure
<b>Idle Motion</b>	Activate Preset/Pan/ Scan/Tour/ Pattern if there is no command in the specified period
<b>Protocol</b>	DH-SD, Pelco-P/D (Auto recognition)
<b>IR Distance</b>	100m

## Audio

<b>Interface</b>	1 channel In
<b>Auxiliary Interface</b>	
<b>RS485</b>	1
<b>Alarm</b>	2/1 channel In/Out

### General

<b>Power Supply</b>	DC 12V/3A
<b>Power Consumption</b>	13W, 22W (IR on)
<b>Working Environment</b>	-40°C ~ 70°C / Less than 90% RH
<b>Ingress Protection</b>	IP66
<b>Dimensions</b>	Φ160(mm) x 295(mm)
<b>Weight</b>	3Kg



All specifications are subject to change without notice. Copyright © Luxrite Ltd. All rights reserved