

SPRO[®]



DHD20/28RW-4-T-M

2Megapixel 1080P Water-proof
 With Microphone Built-in



Key Features:

- 1080P@25fps
- Smart Detection supported
- Microphone Built-in (Directional)
- WDR(120dB), Day/Night(ICR), 3DNR, AWB, AGC, BLC
- 2.8mm fixed lens
- Max. IR length 50m, Smart IR
- IP66, DC12V



SPECIFICATIONS

Model Number	DHD20/28RW-4-T-M
Image Sensor	1/2.7" CMOS
Effective Pixels	1920(H)×1080(V), 2MP
Scanning System	Progressive
Electronic Shutter Speed	1/25~1/100000s
Min. Illumination	0.02Lux/F1.85, 30IRE, 0Lux IR on
S/N Ratio	More than 65dB
Max. IR LEDs Length	Up to 50m
IR On/Off Control	Auto/ Manual
IR LEDs	1

(continued)

Lens

Lens Type	Fixed lens / Fixed iris
Mount Type	Board-in
Focal Length	2.8mm
Max Aperture	F1.85
Angle of View	H:89.9°
Focus Control	N/A

Pan/Tilt/Rotation

Pan/Tilt/Rotation Range	Pan:0°~360° / Tilt: 0° ~ 78° / Rotation: 0° ~ 360°
--------------------------------	--

Video

Resolution	1080P (1920×1080)
Frame Rate	25fps@1080P, 25/50fps@720P
Video Output	4 in 1 : CVI / TVI / AHD / CVBS
Day/Night	Auto (ICR) / Manual
OSD Menu	Multi-language
BLC Mode	BLC / HLC / DWDR
WDR	DWDR
Gain Control	AGC
Noise Reduction	2D
White Balance	Auto / Manual
Smart IR	Auto / Manual

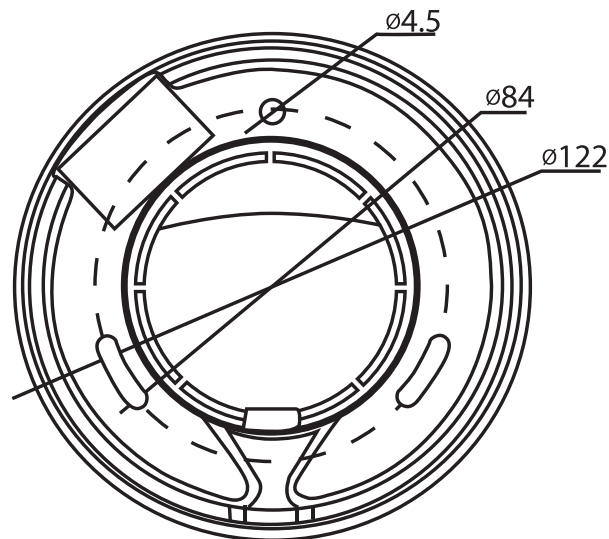
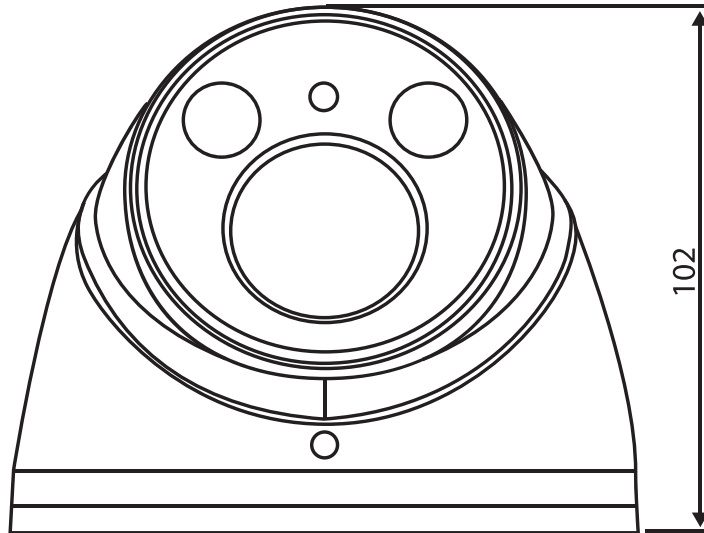
Interface

Audio Interface	Built-in Mic (Directional)
------------------------	----------------------------

General

Power Supply	12V DC ±25%
Power Consumption	Max 3.2W (12V DC, IR on)
Operating Conditions	-40°C ~ +60°C / Less than 90% RH
Storage Conditions	-40°C ~ +60°C / Less than 90% RH
Ingress Protection	IP66

Casing	Aluminium
Dimensions	Φ106mm×93.7mm (Φ4.17"×3.69")
Net Weight	0.44kg (0.97lb)
Gross Weight	0.58kg (1.28lb)



All specifications are subject to change without notice. Copyright © Luxrite Ltd. All rights reserved