

SPRO[®]

VI-APT01-BKT-S

Rain Cover



Key Features:

- Surface-mounted rain cover for VI-APT01

Performance

Model Number VI-APT01-BKT-S

Casing Aluminum alloy

General

Colour Silver

Installation Surface mount

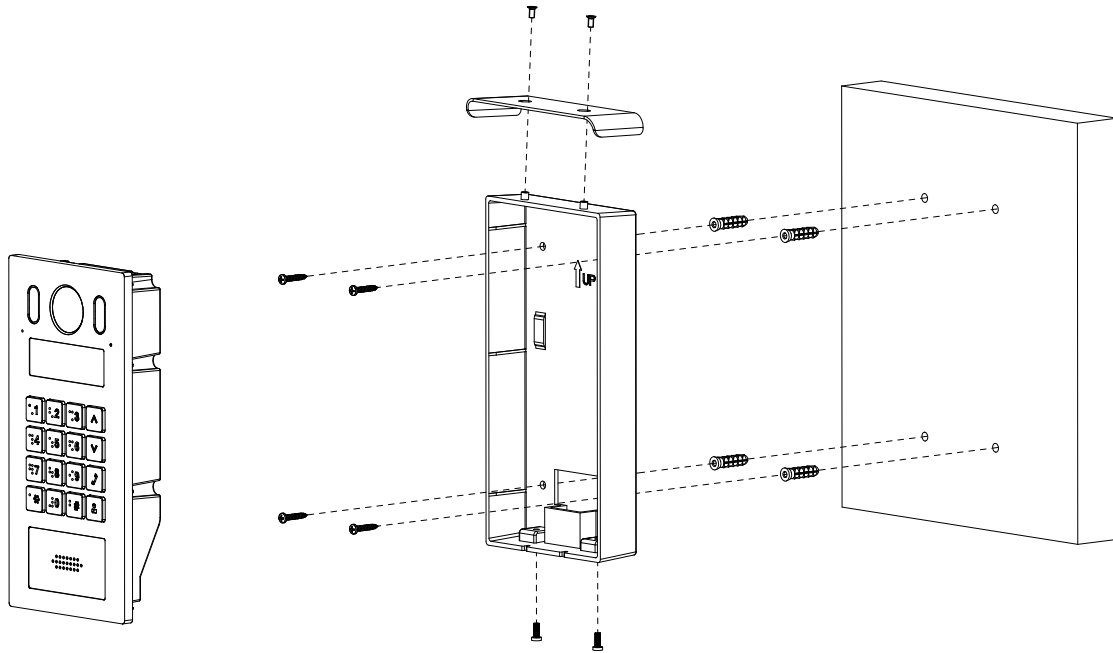
Dimensions 205.1 mm × 108.9 mm × 39.8 mm
(8.01" × 4.29" × 1.57")

Protection Grade IP65 (silicone sealant is needed)

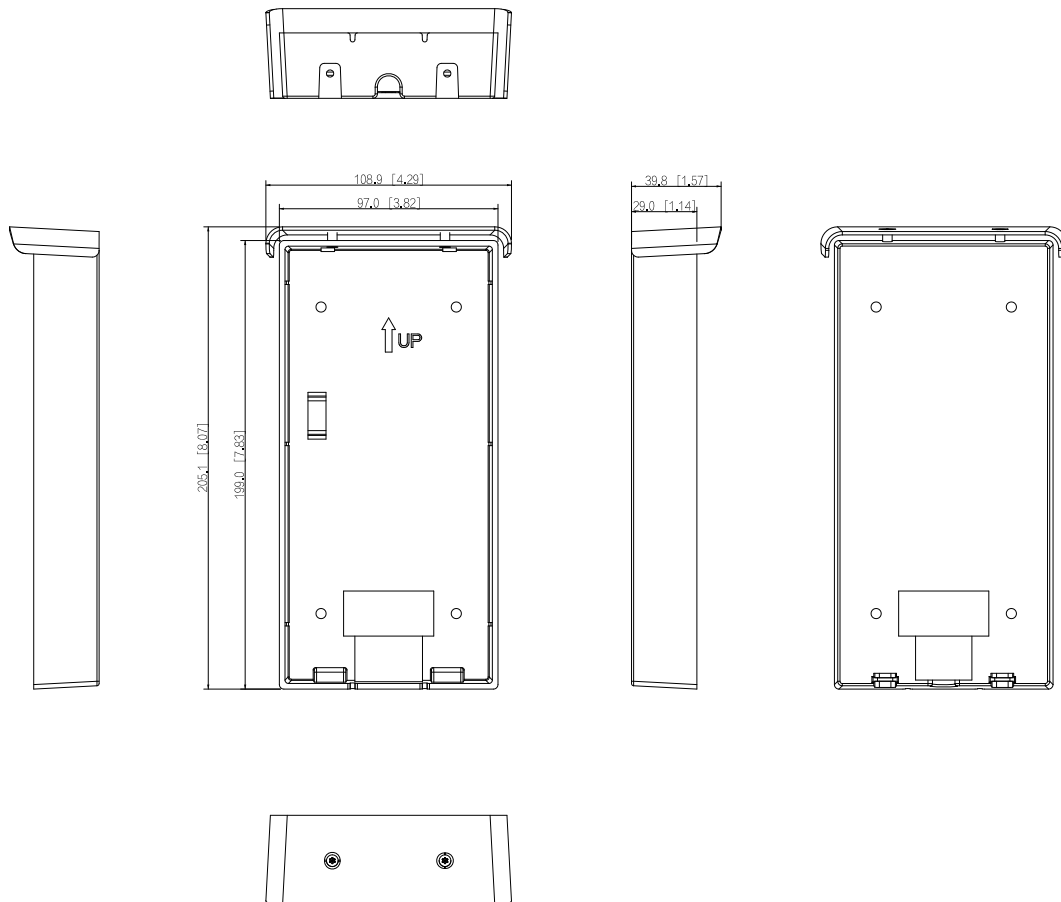
Net Weight 301 g

Gross Weight 452 g

Installation



Dimensions (mm[inch])



All specifications are subject to change without notice. Copyright © Luxrite Ltd. All rights reserved