



BALUN16R

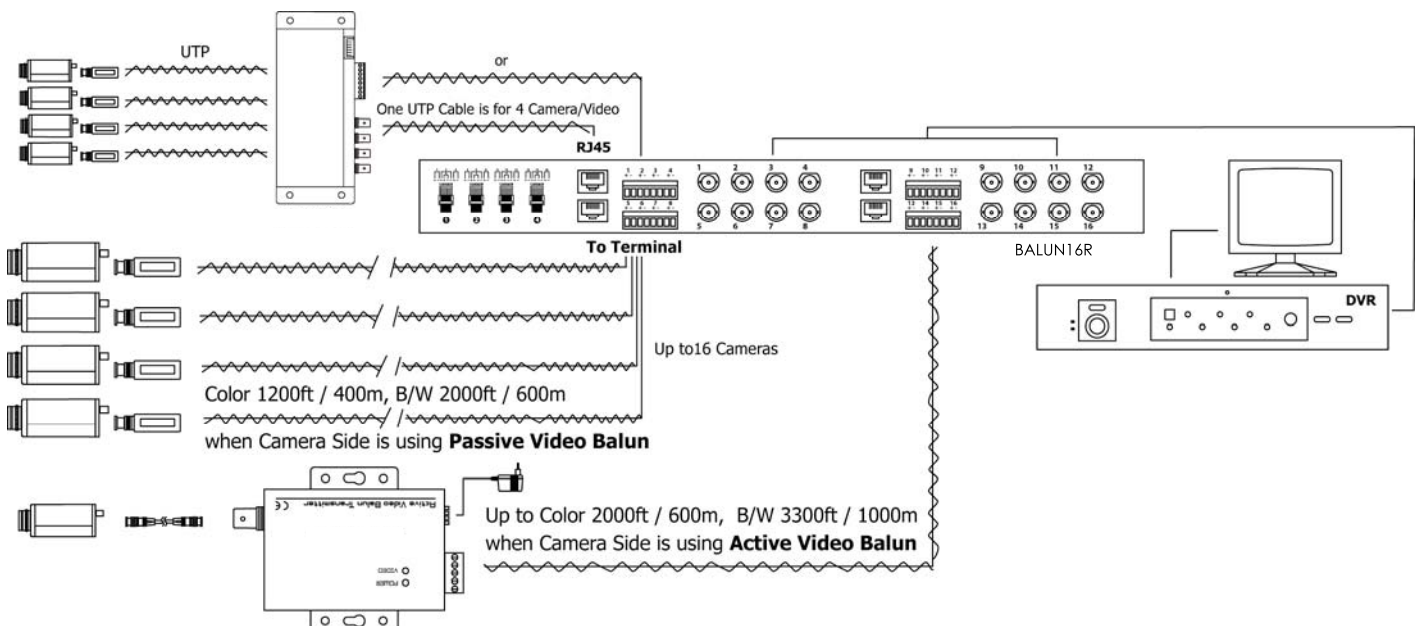
16 Channel Passive Video Balun / Transceiver - 1U



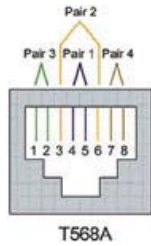
Features:

- Built-in 16 channel passive transceivers in 1U rack mounting panel.
- Transmission distance up to 1000ft / 300m when working with passive transceivers.
- Transmission distance up to 2000ft / 600m when working with active receivers or transmitters.
- Passive; No power required.
- Built-in TVS (Transient Voltage Suppressors) for surge protection.
- Panels can reside in the same rack as the other equipment(s), such as switchers, multiplexers, DVR, video conferencing equipment, etc.
- Perfect for larger CCTV installations, and ideal for security monitoring stations.
- Use RJ45 Jack or 16 screw type terminal to connect between units

APPLICATION DIAGRAM

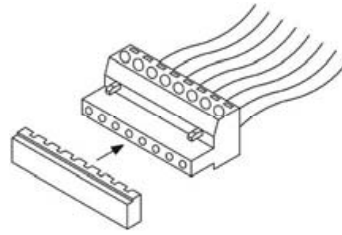


PANEL VIEW



RJ45 Jack

or



Removable Terminal Block

SPECIFICATIONS

Model Number		BALUN16R
Video Transmitting Properties	Supporting Video Mode	All Baseband Signals, including PAL, NTSC, SECAM
	Transmitting Band	0~6MHz Max
	Maximal Transmission Distance	1000ft / 300m (working with Passive) 2000ft / 900m (working with Active)
	Attenuation	>60db
Connection Properties	Video Input/Output Connectors	16x Female BNC Resistance 75 Ohms
	Connectors for Transmissions	4x RJ45
Protections	Video Input Protection	2KV (common mode), 10/700us IEC6100-4-5/1955 (GB/T 1726, 5-1999)
	Video Output Protection	2KV (common mode), 10/700us IEC6100-4-5/1955 (GB/T 1726, 5-1999)
Stability	MTBF	>50,000h
Physical Properties	Dimensions (L x W x H)	16.93" x 3.94" x 1.73" / 430 x 100 x 44.5mm
	Housing Material	Metal
	Color	Black
	Weight	2.76 lbs / 1250 g
Environmental	Operating Temperature	32°F ~ 122°F / 0°C ~ 50°C
	Relative Humidity	0~90%
	Storage Temperature	-40F ~ 302°F / -40°C ~ 150°C
Casing	Casing Volume (L x W x H)	20.86" x 5.91" x 3.54" / 530 x 150 x 90mm

*Specifications are subject to change without notice

* Please note the "+" and "-" on the cable and device. If connection is wrong, the picture quality will be unclear.



Caution :

- Do not connect this device to any power source.
- Do not handle the unit with wet hands.
- The unit is not waterproof and should not be used outdoors.



All specifications are subject to change without notice. Copyright © Luxrite Ltd. All rights reserved